

LIFI BASED AUTOMATED SMART TROLLEY USING RFID

AMIT PATIL

Co-author – Dr. SAMITHA KHAIYUM

PG SCHOLAR , DEPT. OF MCA, DSCE

CA –Associate Professor & Head , Dept of MCA, DSCE

Abstract – A creative item with cultural acknowledgment is the one that guides the solace, comfort and proficiency in regular day to day existence. Shopping at shopping center is turning out to be every day action in different urban areas. We can see colossal surge at shopping centers on vacations and ends of the week. The surge is significantly more when there are unique offers and markdown. Individuals buy various things in the shopping centers and put them in the trolley. They need to discover for the item on the rundown, line to pay, at the charging counter. It is a tedious procedure. To keep away from this, we are building up a framework which we called as 'LIFI Based Automated Smart Trolley Using RFID'. Right now are utilizing RFID labels rather than standardized tags. Every single item has RFID tag. At whatever point the client places an item into the trolley, it will get checked by RFID Reader. The name and cost of the item will be shown on the LCD. We are utilizing Visible Light Communication (VLC) innovation to move the information to the principle PC. At the charging counter, LIFI beneficiary will be set, which will get the information from the transmitter.

1. INTRODUCTION

Today every grocery store and shopping center utilizes the shopping crates and shopping trolleys to gather the things from the racks. The clients need to put each item which they need to buy into the trolley and they need to hang tight in the long line for the charging framework. It is a mind boggling process. To defeat that few innovative arrangements have been created. Be that as it may, the viability of the created framework ought to be extemporized. So that, we are utilizing noticeable light correspondence rather than remote gauges, for example, zigbee, Bluetooth and so on., and furthermore we are utilizing RFID peruser, LCD show and LIFI transmitter in the keen trolley. At the charging area, the LIFI beneficiary is utilized which is associated with the fundamental PC.

2. LITERATURE SURVEY

Shopping in the current day for the most part includes holding up in line to get your things filtered for checkout. This can bring about a lot of sat around for clients. Moreover, the innovation at present utilized in checkouts standardized identifications - is from another time, created during the 1970s. Today scanner tags are found on pretty much every thing.

Standardized tags are an all inclusive innovation in that they are the standard for retail items; stores that own a scanner tag peruser can process standardized tags and engraving it on the items. The most significant factor that is engaged with scanner tag examining is that the item ought to be in the Line of Sight (LOS) of the peruse so as to get the standardized tag engraved on the item filtered.

These days, if a purchaser might want to purchase something at a shopping center, customers need to take the specific things from the showcase rack and afterward line up and trust that their turn will make installment. Issue will unquestionably emerge when the size of a shopping center is moderately immense and once in a while buyers don't have the foggiest idea where certain things are set. Moreover, purchasers additionally need to line for quite a while at the clerk to trust that turn will make installment. The time taken for buyers to hang tight for the clients before the line to check each and every thing and afterward followed by making installment will take a lot of time. This condition will without a doubt become most exceedingly terrible during the period of large deals or if the shopping center despite everything utilizes the customary method to enter in the cost of each thing by hand to the sales register. Then again, purchasers frequently need to stress over a lot of things when heading off to the shopping mall.[1]

For instance, most customers will stress the measure of cash brought isn't sufficient to pay for all the things that needed to be purchased until it goes to our chance to pay at the clerk, buyers may likewise stress that whether certain nourishment item accessible at the shopping center are appropriate for veggie lover since the majority of the nourishment item probably won't be expressed unmistakably. It will

be an extraordinary comfort if the data of things that are accessible in the shopping center can be acquired. It will be an extraordinary enhancement for the current framework if the innovation of RFID is actualized. Purchasers will have the option to get data of the considerable number of things at shopping center, aggregate up the costs of things as they shop, and spare pointless time at the cashier.[2]

RFID innovation is among the most progressive advances that will shape tomorrow's unavoidable retail deals. This innovation offers a significant set ICACACT 2014 of chances which improve the shopping experience of clients when visiting any self-administration store. For sure, this innovation is progressively encouraging to the degree of a potential substitution the standardized tag framework as new minimal effort RFID label fabricating systems have developed.

Utilizing radio-recurrence distinguishing proof RFID information, which show the situation of a shopping basket through a RFID label appended to the shopping basket. The RFID information contain important data for showcasing, for example, shopping time and separation just as the quantity of rack visits. The creators examine clients' buying conduct and in-store development data utilizing POS information joined with RFID information. The reason for this examination is to find a promising shopping way that can recognize clients' in store developments by consecutive example investigation utilizing RFID information. These shopping ways are extricated utilizing an example mining strategy. At last, shopping ways are utilized in the choice tree examination to produce the standards that communicated

clients' in-store developments and buying qualities. [3]

This condition will doubtlessly turn out to be most noticeably awful during the period of enormous deals or if the shopping center despite everything utilizes the regular method to enter in the cost of each thing by hand to the sales register. Then again, customers regularly need to stress over a lot of things when heading off to the shopping center.

The issues expressed above may in the long run be tackled or, in all likelihood improved by the execution of RFID innovation in shopping center. This should be possible by essentially append a RFID tag to all the things in shopping center and join a RFID peruser with a LCD show on the shopping trolley can take care of the considerable number of issues above.

3. EXISTING SYSTEM

Presently accessible strategy in shopping centers is the scanner tag technique. The clerk checks the item through the standardized tag scanner and gives us the all out bill. Be that as it may, this turns into a moderate procedure when bunches of items are to be examined which in the end brings about long lines, making the charging procedure moderate. While doing overview we found that the vast majority of the individuals want to leave the shopping center as opposed to holding up in long lines to purchase a couple of items. To attempt to take care of the issues recently distinguished, late years have seen the presence of a few mechanical answers for hypermarket help. Every such arrangement share similar destinations: set aside buyers time and cash and help the retailers to win faithful customers.

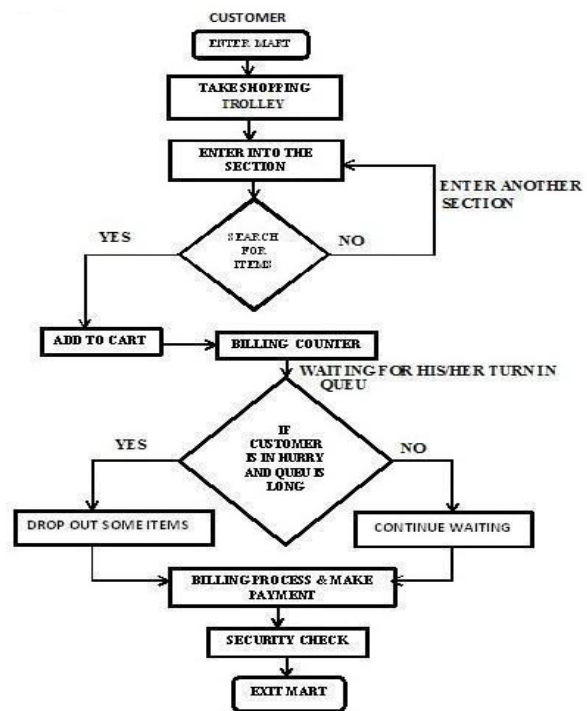


Fig. 3.1 Flowchart showing current shopping center

4. PROPOSED SYSTEM

1. Smart Shopping Cart with Automatic Billing System through RFID and ZigBee:

This depends on the "ZigBee" innovation which is exceptionally trend setting innovation. Each time the bazaar clients needs to take the trolley and wander here there for gathering the things which takes a great deal of time. Subsequent to gathering all the shopping stuff the client needs to hang tight in the line for installment at the bookkeeper segment. Because of enormous line time is squandered, to defeat this they have built up a shrewd method for shopping. In this specific innovation RFID tag is utilized by supplanting the standardized identification structure the item. The trolley will comprise of a RFID peruser, LCD screen and the ZigBee module. At the point when an individual put any item in the trolley it will check the item and cost and the brand of the item. The option of cost of the whole item will be put on produce the tab.

This bill is put away in the microcontroller memory, which at that point moves to fundamental PC through ZigBee module.

2. Automatic billing system using LI-FI :

In this undertaking information move is prepared among items and the cell phone. Every single item is having LIFI transmitter and it store the encoded information like the item id, cost of item and amount. Here the versatile is incorporated with LI-FI recipient through OTG correspondence in the shopping basket. It can peruse the items' data when the LI-FI transmitter holding merchandise are picked by the clients, every data of the products can be entered by utilizing the portable LI-FI and when the item is kept into the trolley, which additionally contains the LI-FI module, twofold check the item personality. In the wake of finishing the buy, the installment is handled in portable itself through versatile financial framework. At long last the truck area will confirm the installment and acquisition of item which will again cross check the items by the trolley module when we come out of the leave segment of the strip mall. On the off chance that the item is crisscrossed at this stage it quickly cautions the proprietor. This innovation is utilized in this undertaking for discovering the data of the wares.

3. LIFI based automated smart trolley using RFID:

In this framework we are utilizing RFID labels rather than scanner tags. Every single item has RFID tag. At whatever point the client places an item into the trolley, it will get checked by RFID Reader. The name and cost of the item will be shown on the LCD. We are utilizing Visible Light Communication (VLC) innovation to move the information to the principle PC. At the charging counter, LI-FI beneficiary will be put, which will get the information from the transmitter.

4. Smart Shopping System by Using LI-FI Technology In Supermarkets:

In this framework LI-FI innovation is utilized. LI-FI is another developing innovation in pattern which uses light waves to move information. In this paper, we propose a programmed charging framework which isn't just time viable yet additionally decreases human exertion. This framework utilizes LI-FI innovation to move information rapidly. The free open android application is sent in portable utilizing which we get the item subtleties and the installment is prepared in the versatile itself. For security, the items are confirmed in the door area by checking the items in the trolley. The fundamental goal of this paper is to maintain a strategic distance from lines in markets and shopping centers.

5. Futuristic Trolley for Intelligent Billing with Amalgamation of RFID and ZIGBEE:

In this framework we are utilizing RFID labels rather than standardized tags. This RFID labels will be on the item. At whatever point the client places an item into trolley it will get examined by bvgfc RFID peruser and item cost and cost will be show on LCD show. Like this the procedure goes on. We are utilizing ZIGBEE transmitter which will be at trolley which is utilized to move information to primary PC. At the primary PC ZIGBEE recipient will be set which will get information from transmitter. .To store the items cost and absolute charging memory utilized will be Atmel AT24C04. LCD utilized will be 16X2 alphanumeric showcase. It will be utilized to show items names, items cost and so forth.

4.1 Barcode Vs RFID

Barcode	RFID
Requires line of site to read.	Can be read without line of site.
Can only be read individually.	Several RFID tags can be read simultaneously.
Can not be read if damage or dirty.	Can cope with dirty environment.
Cannot be updated.	New information can be over written.
Requires manual tracking.	Can be automatically tracked.

4.2 WIFI Vs LIFI

WIFI	LIFI
Data transfer speed is 150Mbps.	Data transfer speed is greater than 1Gbps
Point to point topology.	Point to point topology.
It uses radio spectrum.	It uses light as a carrier.
Expensive than LIFI because it uses radio spectrum that requires license.	Cheaper than wifi because it uses free band that does not require license.
Operating frequency is 2.4Ghz,	Operating frequency is hundreds of tera hz.
Radio frequency spectrum is lesser than visiblelight spectrum.	Visible light spectrum is 10,000 times larger spectrum than radio spectrum.

4.3 BLOCK DIGRAM OF SYSTEM

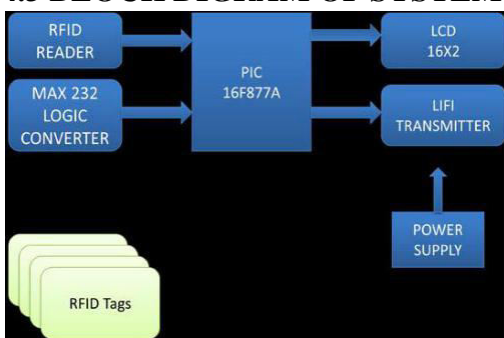


Fig.4.3 Block Diagram of trolley side

4.4 BLOCK DIGRAM OF SERVER

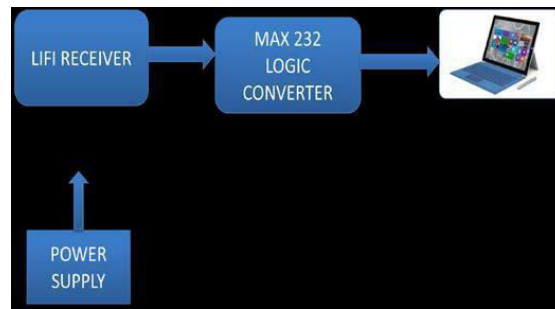


Fig.4.4 Block Diagram of server side

5. SYSTEM ARCHITECTURE

- A. PIC microcontroller 16f877A
- B. RFID Reader
- C. LCD display
- D. LIFI transmitter and receiver
- E. Max 232 converter

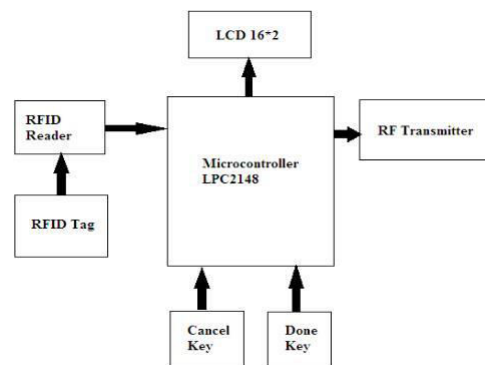


Fig.5.1 Block Diagram of User Section

The PIC 16f877A is one of the most slanting microcontrollers. This Controller for the most part utilized for exploratory and present day application on account of its low cost. It's perfect with 51 items. Since the presentation of PIC 16xx they have presented a variety of 8bit work just on 8bit of information at once. A present model of pic microcontroller contains streak memory. In PIC, memory of program and information are isolated. In the most recent adaptation, 32 piece information memory is accessible.

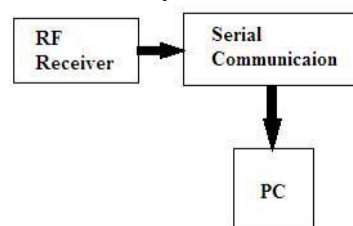


Fig.5.2 Block Diagram of Server Section

Key features:

1. Wide availability.
2. Low cost.
3. Ease of reprogramming with built in EEPROM.
4. Operating frequency from 0 to 20MHZ .
5. Operating voltage from 4 to 5.5V .
6. Timer 0:8 bit..

B. RFID READER

Radio Frequency Identification Reader is a gadget used to gather the data from the RFID tag. The upside of RFID over standardized identification is, it can peruse every single item from the heap of items. However, the standardized tag can't do this. The scanner tag can peruse just a single information at once. In the current days the shopping centers are utilizing standardized tag scanner since each item in the shopping center contains standardized identification. In our proposed framework, every single item has RFID labels rather than standardized identification. The RFID peruser consistently hanging tight for the hinder of RFID tag, when the tag was empowered, the RFID peruser filters all insights regarding the tag. The RFID peruser can ready to peruse the data from 300 feet yet the standardized identification can peruse up to 15 feet in particular and furthermore the scanner tag needs view correspondence to filter the data. These weaknesses are overwhelmed by utilizing RFID.



Fig.3.1 RFID reader

C. LIFI TRANSCEIVER

It is an obvious light correspondence that is light loyalty. It is bidirectional and rapid system arranged remote specialized gadgets like that Wi-Fi. It is a subset of optical remote correspondence which conveys more measure of data .The lifi utilizes normal family unit LEDs for correspondence. It empowers the information move at the speed of 224 Gbps.

These gadgets are regularly utilized for light just by applying consistent current. The operational system is straightforward, If the LED can be turned ON, '1' is transmitted and if the LED is turned off, '0' is transmitted.. In the trolley area, LCD show is done effectively utilizing microcontroller then the computerized information is changed over to simple, at that point it is taken care of to the LIFI transmitter. The fundamental IEEE standard for LIFI is 802.15.7 like have Bluetooth, zigbee gauges. The standard can convey enough information rates to transmit sound, video and sight and sound administrations by means of light transmission.



Fig.3.2 LIFI Technology

BENEFITS:

1. Solve insufficiency of radio frequency.
2. Speed.
3. Secure
4. Low Cost.
5. Multi User communication.

APPLICATIONS

LIFI has found its applications in many fields. Some of them are given below.

- Vehicles and transportation
- Underwater communications
- Aviation
- Location based services(LBS)
- Hospitals and healthcare
- Hazardous environments
- RF spectrum relief
- Mobile connectivity
- Smart lighting

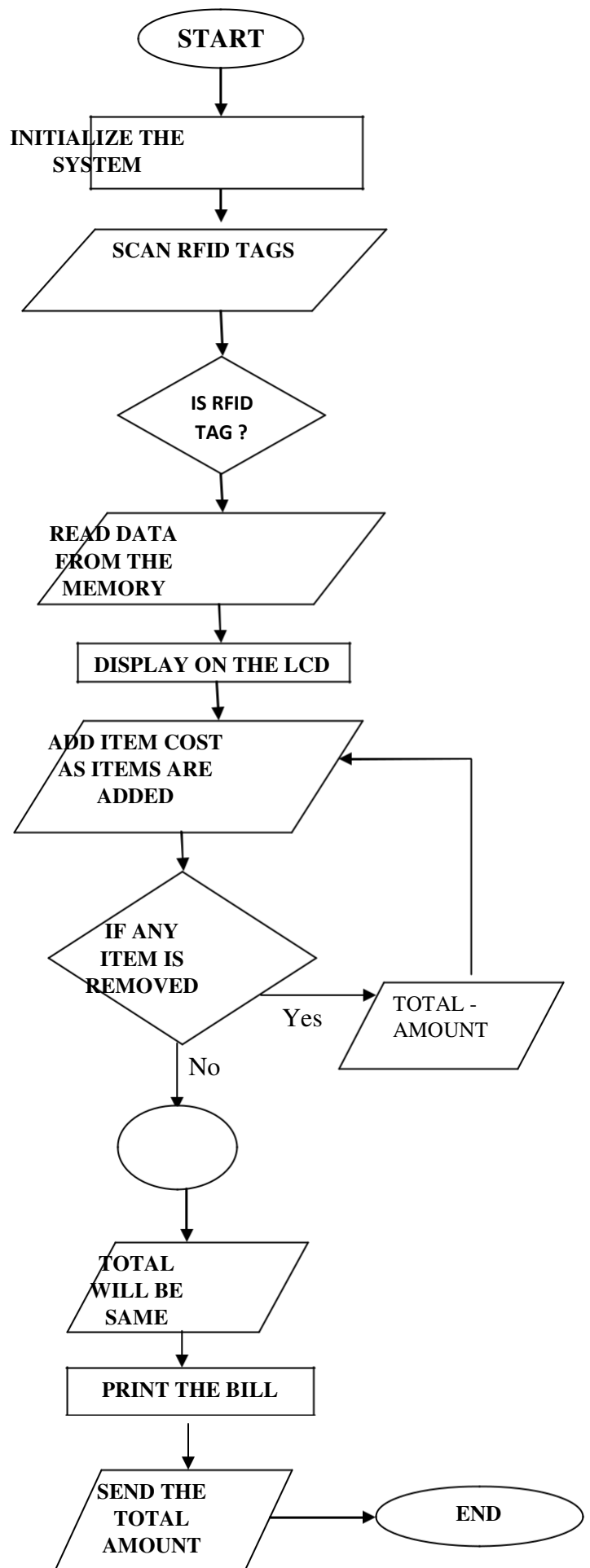
D. LCD DISPLAY

A fluid gem show comprises of a variety of modest portions considered pixels that can be controlled to introduce data. This essential thought is regular to all showcases, running from basic number crunchers to a full shading LCD TV. Right now, show get the guidance from the microcontroller .it show 16 characters for each line and there are two such line. This LCD contains two registers, for example, order and information. The order register store the order guidance given to the LCD and the information register store the information to be shown on the LCD. The characters are as ASCII. Right now, segment get the subtleties of every item from the controller and yield segment show the name, amount and expiry date of the items.

E .MAX232 CONVERTER

The MAX 232 logic converter is a Hardware protocol layer and dual driver and receiver. And it typically converts the RX, TX, CTS, RTS signal. The main function of the converter is used to convert the TTL logic level to RS232 logic level during serial communication of microcontroller with PC.

6. FLOW CHART



7 .ALGORITHM

Stage 1: Start

Stage 2: Initialize the System.

Stage 3: Enable Interrupt for RFID.

Stage 4: Check RFID tag

Stage 5: If the tag is enrolled, perused related information from the memory.

Stage 6: Display the information on LCD.

Stage 7: Add thing cost as things are included.

Stage 8: If a thing is evacuated show a message 'Include OR REMOVE'.

Stage 9: Press REMOVE and proceed with the shopping as the aggregate sum will be decreased, else ADD and subsequently there will be no change.

Step10: When transfer key is squeezed send information to the counter.

Step11: Print the Bill.

Step12: Stop

8. ADVANTAGE

- To execute the structure for streamlining the charging method and to manufacture the security using LIFI technique. This will take the general shopping experience to a substitute level.
- Modified charging of things by using RFID framework will be an inexorably conceivable decision later on.

9. APPLICATIONS

- The Automatic Trolley examines rising versatile developments and modified unmistakable confirmation progressions, (for instance, RFID) as a way to deal

with improve the idea of organizations gave by retailers and to amplify the client regard thusly for allowing to put aside time and money.

- Shopping trolleys fitted with negligible exertion sensors and LIFI Smart development could upgrade the retail experience – pinpointing the territory of trolleys inside stores and besides the customers can think about the total bill whole during the hour of acquirement.

10. FUTURE ENHANCMENT

- The LIFI innovation can be utilized in vehicle to vehicle correspondence
- The LCD can be furnished with a format of the shopping market by which the clients can have the option to get the specific data about the items present in various walkways. This expansion ease of use..
- The brilliant trolley could communicate with clients during a shopping trip. For instance, passing on markdown vouchers dependent on where they are in the grocery store.
- The development of the trolley can be made naturally with the assistance of different sensors. Right now, is no compelling reason to pull the substantial trolley

11. CONCLUSION

- The planned goal is effectively accomplished in the created model
- The created item is anything but difficult to utilize and doesn't require a particular preparing. It has the powerful use of LIFI innovation and the keen trolley can

limit the lines in the shopping center. With the goal that client's time can be spared.

12. REFERENCES

[1] **Janhavi Iyer, Harshad Dhabu, Sudeep K. Mohanty** : "Smart Trolley System for Automated Billing using RFID and ZIGBEE". International Journal of Emerging Technology and Advance Engineering (ISSN 2250-2459, ISO 9001:2008 Certified Journal, Volume 5, Issue 10, October 2015).
Website: <https://www.ijetae.com>

[2] **Atish Kamble, Sachin Meshram, Rahul Thokal, Roshan Gakre** : "Developing a Multitasking Shopping Trolley Based On RFID Technology". International Journal of Soft Computing and Engineering (IJSCE) ISSN: 2231-2307, Volume-3, Issue-6, January 2014.
Website: <https://www.ijscce.org>

[3] **Yathisha L , Abhishek A , Harshith R , Darshan Koundinya S R & Srinidhi K M** : "Automation of Shopping cart to ease Queues in Shopping mall". International Research Journal of Engineering and Technology (IRJET) ISSN: 2395 -0056 Volume: 02 Issue: 03 | June-2015
Website: <https://www.ijert.org>

[4] **Kalyani Dawkhar , Shraddha Dhomase , Samruddhi Mahabaleshwarkar** : "Electronic Shopping Cart For Effective shopping based on RFID". International Journal of Innovative Research in Electrical, Electronics , Instrumentation and control Engineering(IJEEICE), Volume: 03 , ISSUE:01,JAN2015.
Website:<https://www.ijireeice.com>

[5] **Zeeshan Ali, Reena Sonkusare** "RFID based Smart Shopping: An Overview" International Conference on Advances in Communication and Computing Technologies 2014.

[6] **V.Padmapriya , R.Sangeeth , R.Suganthi** : "LIFI based automated smart trolley using RFID "International Journal Of Scientific & Engineering Research, Volume 7, Issue 3, March-2016 1026 ISSN 2229-5518 .

Website: <https://www.ijscce.org>

[7] **Dr. P. Muthu Kannan, Anupriya Asthana**, "Automatic Retail System Using RFID", Volume 1, Issue 5, October 2013, International Journal of Advance Research in Computer Science and Management Studies.

Website: <https://www.ijarcsms.com>