

# Advanced Head-Light Controlling System for Automobile Using Microcontroller

Deepika J. Ahire<sup>1</sup>, Prof S.V. Murkute<sup>2</sup>

<sup>1</sup>Department of Electrical Engineering, People's Education Society College of Engineering, Nagsen vana, Aurangabad, India

<sup>1</sup>Department of Electrical Engineering, People's Education Society College of Engineering, Nagsen vana, Aurangabad, India

\*\*\*

**Abstract** -Vehicle design is vital for road safety, with newer cars needing to be more stable and sophisticated to handle higher traffic speeds. To improve safety, headlights will have a stepper mechanism that adjusts or tilts automatically when LDR sensors detect impending cars. This modification temporarily redirects the beam to keep direct glare from obstructing other drivers' eyesight. Matrix headlight management technology may lower or switch off particular areas of the headlights opposite the identified vehicle, reducing glare at high speeds.

This smart lighting technology changes the strength of headlights based on traffic conditions, reducing the danger of blinding other road users. Selectively diverting or lowering headlights improves visibility for drivers and reduces discomfort for others on the road, leading to safer and more comfortable night time driving.

**Key Words:** Ldr, Led, Controller, Automobile

## 1. INTRODUCTION

Apart from functionality, the most important consideration while operating a motor vehicle is safety. Static headlamps are insufficient for illuminating curving roadways and intersections, leading to over 80% of road traffic accidents during bad weather. The goal is to improve visibility for drivers, resulting in a considerable gain in road safety and driving comfort. The Advanced Headlight Control System (AHCS) swivels the headlight beams in advance of the vehicle's turn. Adding light to the turning radius improves visibility for drivers during corners. The vehicle's data network includes real-time sensor data for steering angle and wheel speed. AHCS-equipped headlights adjust light distribution to match the vehicle's turning angle, providing optimal lighting for bends and junctions, particularly at the driver's gaze point. When a vehicle turns into a curved route, AHCS headlamps highlight the curve. Headlamps without AHCS do not illuminate the

whole curving road, making it difficult for drivers to spot pedestrians in their path. The headlight with AFS illuminates the curving road entirely, allowing drivers to spot pedestrians in their path.

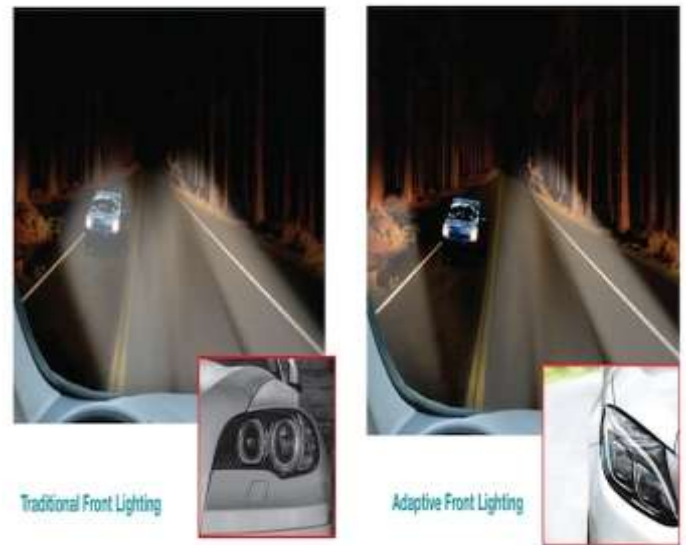


Fig1: Advanced Head-Light Controlling System for Automobile

Vehicle headlights are extremely dangerous while driving at night. Most drivers use strong, bright beams at night. This causes discomfort for others going in the opposite direction, resulting in a temporary glare. This is triggered by another vehicle's bright headlight beam coming from the other direction. This project creates an automated headlight dimmer that employs a Light Dependent Resistor (LDR) sensor to reduce oncoming cars' headlights without affecting human vision.

This feature automatically switches from high to low beams, decreasing glare and eliminating the need for manual switching by the driver. Arduino Ide software was used to develop the project. The headlight's greatest spread angle was 80 degree. When dispersed light from other sources reaches the sensor, its intensity is far lower than the triggering threshold. A photo detector's sensitivity determines how light affects the output signals.

## 2. Body of Paper

In today's quickly changing automobile market, prioritizing safety and energy economy has become critical.

As cars incorporate modern technology, there is a demand for creative solutions that improve driver safety and optimize energy use. Visibility is crucial for vehicle safety, particularly during low-light circumstances like nightfall or severe weather. Manual headlamp control methods typically fail to provide maximum visibility and energy economy. Our research aims to overcome these issues by creating an autonomous headlamp control system using Light Dependent Resistors (LDRs) and Arduino microcontrollers.

Our solution combines light sensor and cognitive control to transform car lighting activation, providing safety, convenience, and energy savings. Using LDRs (photo resistors) is a reliable and responsive way to monitor ambient light levels. These passive components adjust resistance based on incident light intensity, making them perfect for light sensing applications.

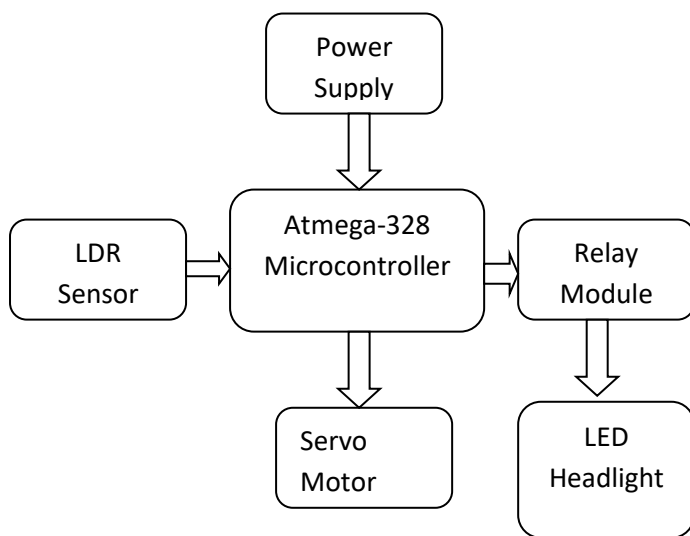


Fig2: Block Diagram of Proposed System

LDRs work with Arduino microcontrollers to provide real-time monitoring and adaptive control over headlight activation. Our study aims to improve headlight control by automating the process and adapting to changing illumination conditions in real-time. The device monitors ambient light levels and automatically activates headlights when visibility is low, providing optimal lighting for drivers and other road users. During daylight or well-lit settings, the

system intelligently deactivates headlights to conserve energy and increase bulb life. This initiative aims to meet many critical objectives:

- 1. Improved Driver Safety:** Our technology automates headlamp control to increase visibility and decrease accidents, especially in low-light conditions when manual activation may be delayed or ignored.
- 2. Optimizing Energy Usage:** Intelligent activation and deactivation of headlights depending on ambient light levels reduces wasteful energy use, improving fuel efficiency and environmental sustainability.
- 3. Improved Driving Experience:** Automatic headlamp management allows drivers to focus on the road ahead without manual adjustments, eliminating distractions.
- 4. Driving Innovation in Automotive Technology:** Our study demonstrates how LDRs and Arduino microcontrollers may revolutionize existing automotive systems, paving the way for future safety and efficiency improvements.

## 3. Methodology

Automatic headlight control using an LDR (Light Dependent Resistor) detects ambient light levels and adjusts beam intensity accordingly. Here's how it usually works:

**Light Detection:** The system uses an LDR, a kind of resistor that reduces in resistance as ambient light increases. When it's dark, the LDR has a high resistance; when it's light, the resistance drops. The LDR is coupled to a control circuit that interprets resistance readings. This circuit is commonly integrated into the car's electronic system.

**Threshold Setting:** The control circuit determines whether to turn on or off the headlights based on the ambient light level. The threshold is customizable based on system sensitivity and driver preferences.

**Headlight Activation:** When the ambient light level falls below the threshold (indicating darkness), the LDR's resistance increases, signaling the control circuit to activate the headlights. When the ambient light intensity exceeds the threshold for daytime, the

LDR's resistance lowers, causing the control circuit to turn off the headlights.

**Adaptation:** Some systems can gradually modify lighting intensity depending on observed light levels. For example, they may adjust the brightness of the headlights according on the lighting circumstances.

**Vehicle System Integration:** Modern automobiles commonly incorporate automated headlamp control with other systems, such rain sensors for wiper activation or proximity sensors for adaptive cruise control. This integration improves overall safety and convenience.

**Electricity Efficiency:** Automatically shutting off headlights during daylight or well-lit settings conserves electricity in the vehicle's electrical system, improving fuel efficiency.

**Improved Driver Convenience:** Automatic headlamp control eliminates the need to manually change headlights in different light situations, leading to less distraction.

**Improved Safety:** Properly operating headlights increase visibility for drivers and other road users, lowering the likelihood of accidents during low-light conditions like twilight or dawn.

**Adaptive Features:** Some systems modify headlamp patterns or intensities based on vehicle speed, steering angle, or approaching traffic to improve visibility and avoid blinding other drivers.

**Compatibility:** LDR-based automatic headlamp control systems work with a variety of illumination options, including halogen, LED, and adaptive headlights. Automated headlamp activation and deactivation reduces maintenance expenses by extending bulb life and reducing replacement frequency.

**Legal Compliance:** Some locations require the usage of headlights at specified times or situations, such as severe weather or tunnels. Automatic headlight control lets drivers comply with requirements without requiring continual attention.

**Customization Options:** Some cars allow drivers to customize automated headlamp control characteristics, including sensitivity, delay time, and brightness levels, based on their preferences and driving situations.

#### 4. RESULTS

We tested our automatic headlamp management system with LDRs and Arduino microcontrollers under several driving scenarios and lighting conditions to assess its efficacy. These studies yield vital information about the system's responsiveness, dependability, and energy efficiency.



Fig3: Headlight Is at off condition

We tested the accuracy of ambient light detection using LDRs in various lighting situations, from broad sunshine to deep darkness. Our findings show that LDRs are very sensitive to ambient light levels and can detect transitions between bright and dark environments with low delay.

Next, we tested the system's capacity to activate and deactivate headlights based on ambient light. The system's real-time monitoring of LDR resistance levels and Arduino-based control logic enabled rapid



and reliable lighting activation in low-light settings, providing excellent vision for the driver.



Fig4: Headlight Is On and No vehicle light coming from front Side

We assessed the energy efficiency of the automated headlamp control system by monitoring power usage during operation. Our solution reduces energy usage by deactivating headlights in well-lit areas, resulting in lower power consumption and longer bulb lifespan.

In addition to laboratory testing, we conducted field experiments to evaluate the system's effectiveness in realistic driving circumstances. After installing and monitoring the automated headlight control system, participants reported enhanced visibility, convenience, and energy savings.

Our investigations show that utilizing LDRs and Arduino microcontrollers for automated headlight control is both effective and practicable. The system's precise ambient light sensing, quick headlamp activation, and energy-efficient operation can improve driver safety, streamline the driving experience, and promote sustainability in vehicle technology.



Fig5: Headlight Is On and vehicle light coming from front Side

Our future study is to improve the automated headlamp management system by including more sensors, improving control algorithms, and investigating applications in autonomous cars and smart transportation. Our goal is to increase automobile safety and efficiency, resulting in a safer, greener, and more connected future.

### 3. CONCLUSIONS

Using LDRs and Arduino microcontrollers to construct an automated headlamp control system improves vehicle safety, energy efficiency, and convenience for drivers. Extensive testing and analysis yield important insights into the system's efficacy and potential influence. Our investigations show that automated headlight management significantly improves driving safety and energy economy. The device automatically activates headlights based on ambient light levels, improving visibility in low-light circumstances while reducing energy use in well-lit environments.

Field experiments have shown that drivers appreciate the automated headlight control system and find it

useful. Participants reported greater vision, less tiredness, and a better driving experience, demonstrating the system's ability to handle real-world difficulties and user demands. Our initiative advances automotive technology by providing a scalable and cost-effective solution to improve vehicle safety, energy economy, and driver comfort. We designed an autonomous headlight control system using LDRs and Arduino microcontrollers, which enhances visibility and safety on the road but also contributes to the sustainable and responsible use of energy resources in transportation.

Engineering and Advance technology, IJSEAT, Vol. 3, Issue 4, April 2015, bISSN 2321-6905

{[https://youtu.be/zWO-TYzszGc?si=fy\\_VUwUsWm1fgKrk](https://youtu.be/zWO-TYzszGc?si=fy_VUwUsWm1fgKrk)}

## REFERENCES

[1] Albert Alexe, R.Ezhilarasie, "Cloud Computing Based Vehicle Tracking Information Systems", ISSN: 2229-4333 (Print) ISSN: 0976-8491 (Online) IJCST Vol.2, Issue 1, March 2011.

[2] Anand. T. M, Banupriya. K, M. Deebika, and A. Anusiya, Intelligent Transportation Systems using IoT Service for Vehicular Data Cloud, International Journal for Innovative Research in Science & Technology, Vol.2, No. 02, pp. 80-86, 2015.

[3] Hoang Dat Pham; Drieberg, M.; Chi Cuong Nguyen, "Development of vehicle tracking system using GPS and GSM modem," Open Systems (ICOS), 2013 IEEE Conference on, vol., no., pp.89,94, 2-4 Dec. 2013.

[4] Jaun Zambada, Ricardo Quintero, Ramon Isijara, Ricardo Galeana, Luis Santillan, "An IoT based scholar bus monitoring system", IEEE2015.

[5] Jyothi kiran. M, Ravi teja. S. Vehicle Health Monitoring Systems. International Journal of Engineering Research and Applications Vol. 2, Issue 5, September-October 2012, pp.1162-1167.

[6] Lee. S, G. Tewolde and J. Kwon, "Design and implementation of vehicle tracking system using GPS/GSM/GPRS technology and Smartphone application," 2014 IEEE World Forum on Internet of Things (WF-IoT), Seoul, 2014.

[7] Narendra kumar. T, Sivaji. S. Android Based Vehicle Monitoring and Tracking System using ARM7 and CAN technology. International Journal of