

DESIGN & FABRICATION OF ELECTRO MAGNETIC ABRASIVE FINISHING MACHINE

M.PADMANABHAM¹, P. AKNADH², BATHULA HRUDAY KIRAN³, CHODIPILLI

SATYANARAYANA⁴, GUBBALA GANESH RAM KUMAR⁵,

MALLAVARAPU KARUNAKAR⁶, JAMI AVINASH⁷, SUDIKONDA PRAVEEN KUMAR⁸

1,2Assistant Professor, Dept. of Mechanical, Sanketika Vidya Parishad Engineering College, Vizag, A.P, India

3,4,5,6,7,8B. Tech (final year), Dept. of Mechanical, Sanketika Vidya Parishad Engineering College, Vizag, A.P, India

-----***-----

Abstract – The Electro Magnetic Abrasive Finishing Machine project was undertaken to develop an innovative finishing process for metals using electromagnetic forces and abrasive particles. This technology is designed to enhance the precision and efficiency of surface finishing operations compared to traditional finishing methods. The project integrates principles from both electromagnetism and abrasive technology to create a controlled, repeatable, and efficient finishing process.

The methodology involved the design and fabrication of a prototype machine, which utilizes a unique arrangement of electromagnets to manipulate abrasive particles directly against the workpiece surface. The motion and pressure of the particles are controlled through variations in electromagnetic fields, allowing for precise surface modifications. This setup was tested with various metal samples to evaluate its effectiveness in reducing surface roughness and improving the micro-structural properties of the materials.

Results from the experimental tests demonstrated significant improvements in surface finish quality with considerable reductions in processing time compared to conventional methods. The use of electromagnetic fields to control abrasive particles provided uniform surface treatment and minimized physical contact, reducing wear and tear on the machinery.

This project not only confirms the viability of Electro Magnetic Abrasive Finishing as a superior method for surface enhancement but also suggests potential industrial applications where traditional finishing methods fall short. Future work could explore automation enhancements, the use of different

abrasive materials, and scalability issues to better adapt this technology for widespread industrial use.

Key Words: ElectroMagnetic abrasive finishing Surface machine, Solid edge, Surface roughness, Material removal rate.

1.INTRODUCTION

Background

The field of material science and engineering constantly seeks advancements in the techniques used for surface finishing of materials. Surface finishing processes are critical for improving the appearance, adhesion, wettability, corrosion resistance, tarnish resistance, chemical resistance, wear resistance, and hardness of manufactured parts. Traditional finishing techniques, such as mechanical grinding, polishing, and chemical etching, often fall short in providing the required precision or efficiency for advanced materials and complex geometries.

The innovation of Electro Magnetic Abrasive Finishing (EMAF) presents a significant leap in this domain. This process utilizes electromagnetic fields to control abrasive particles that are used to polish or finish a surface. The EMAF technique combines magnetic forces and abrasive principles to create a flexible, contactless finishing process that reduces tool wear and provides a high degree of surface finish control.

The Rise of Electro Magnetic Abrasive Finishing

In response to these challenges, the Electro Magnetic Abrasive Finishing (EMAF) machine represents a significant technological advancement. EMAF is a process that combines magnetic fields with abrasive particles to polish or finish a

surface without direct contact. This innovative approach allows for the precise control of the abrasive forces, enabling uniform material removal and achieving high-quality finishes without the drawbacks associated with mechanical contact.

Technological Innovation

The core innovation in EMAF technology lies in its use of electromagnetic fields to manipulate ferromagnetic abrasive particles. These particles are suspended in a slurry and oriented by magnetic fields to form a flexible, brush-like structure that gently abrades the workpiece surface. The intensity and orientation of the magnetic field can be finely controlled, allowing the abrasion to be tailored to specific requirements of different materials and shapes, which is a significant advantage over more rigid traditional tool

Necessity of the Project

Conventional finishing processes often involve direct contact between the tool and the workpiece, leading to significant tool wear and potential damage to the workpiece. Furthermore, these methods can be inefficient and environmentally unfriendly, often requiring the use of coolants and lubricants that pose disposal issues. The EMAF technology addresses these challenges by using controlled magnetic fields to manipulate the abrasive particles, ensuring minimal physical contact and thereby extending tool life and reducing environmental impact.

The need for more advanced surface finishing processes is driven by the increasing complexity of components used in industries such as aerospace, automotive, and biomedical devices. These components require a level of precision and surface integrity that traditional methods cannot achieve efficiently. EMAF offers a promising solution with its ability to finely control the finishing process without the limitations posed by physical tooling.

Objectives of the Project

The primary objectives of this project are as follows:

- **Develop an Electro Magnetic Abrasive Finishing Machine:** To conceptualize, design, and fabricate a prototype that demonstrates the capabilities of the EMAF technology.
- **Evaluate Performance:** To assess the efficiency and effectiveness of the EMAF machine in improving the surface finish of different metallic workpieces.
- **Optimization of Process Parameters:** To identify optimal settings for the electromagnetic field strength, abrasive particle size, and process duration to maximize surface finish quality while minimizing the finishing time.
- **Comparison with Conventional Methods:** To compare the results obtained from the EMAF machine with those achieved through traditional finishing methods in terms of surface roughness and operational costs.

2. WORKING PRINCIPLE

The Electro Magnetic Abrasive Finishing (EMAF) machine operates on the principle of magnetorheological fluid-based finishing combined with abrasive technology. The core mechanism involves the use of a specially formulated slurry that consists of abrasive particles suspended in a magnetic fluid. When subjected to an external magnetic field, the viscosity of the fluid increases, allowing precise control of the abrasive particles against the surface of the workpiece.

During operation, the electromagnetic coil generates a magnetic field that induces the alignment of abrasive particles into a flexible brush-like structure. This "brush" is then moved over the surface of the workpiece. The machine controls the strength and orientation of the magnetic field, which in turn adjusts the stiffness and density of the abrasive brush, allowing for the effective smoothing or polishing of the workpiece surface without direct contact or excessive pressure that might damage the workpiece.

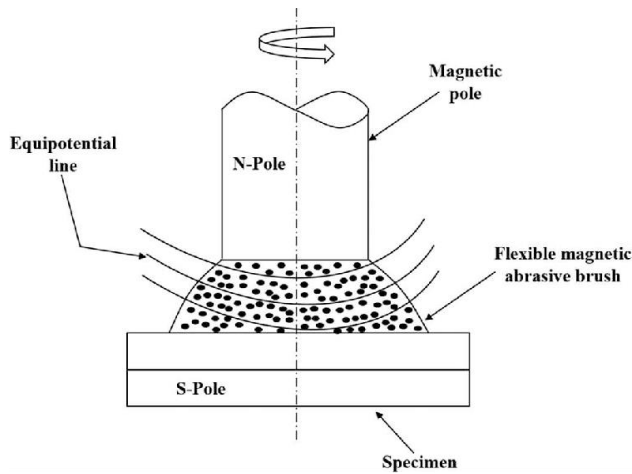
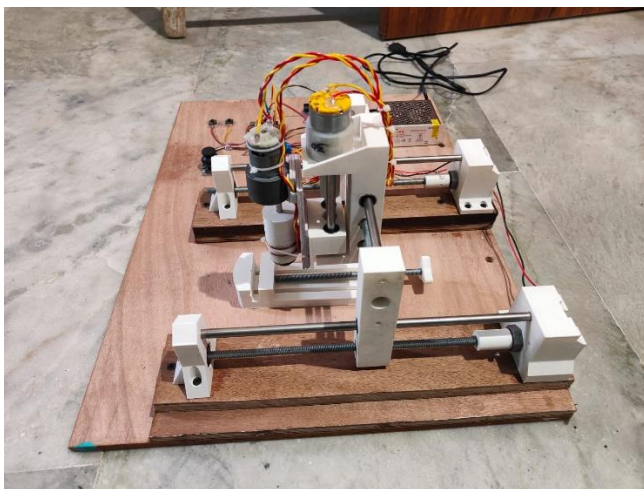


Fig 1.1 Working Principle of EMAF

3. DESIGNING SOFTWARE USED

Design Philosophy

The EMAF machine is designed with the primary goal of optimizing surface finish while reducing the physical wear and environmental impact typically associated with traditional finishing processes such as grinding or polishing. This is achieved through a non-contact process that eliminates mechanical stresses and potential damage to the workpiece, thereby enhancing the longevity of both the tool and the material being finished.



Design Objectives

The core objectives of the EMAF machine design include:

- **Precision and Control:** Utilizing electromagnetic fields to precisely control the positioning and movement of abrasive particles against the workpiece surface.
- **Versatility:** Adapting to various workpiece geometries and materials without the need for extensive retooling or adjustments.
- **Sustainability:** Reducing waste and avoiding the use of hazardous consumables typical of many finishing processes.
- **Ease of Use and Maintenance:** Designing a user-friendly interface and ensuring that the machine is easy to maintain and service.

Integration of Technologies

The EMAF machine integrates several advanced components and systems to fulfill its design objectives:

- **Electromagnetic Coil:** This crucial component generates a controlled magnetic field that dictates the behavior of abrasive particles suspended in a fluid medium, enabling precise surface modification capabilities.

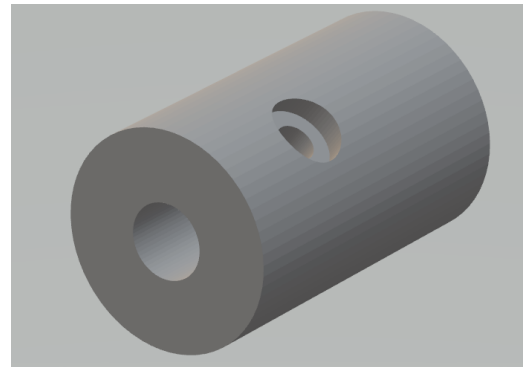
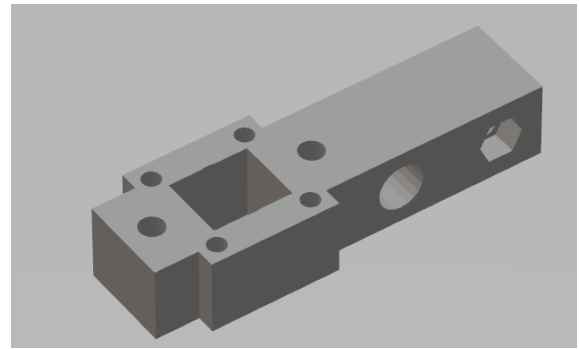
Dynamic Control System: A sophisticated control unit interfaces with sensors and actuators to adjust machine parameters in real time based on feedback from the finishing process, thus optimizing performance and adaptability.

Workflow of Using Solid Edge with 3D Printing:

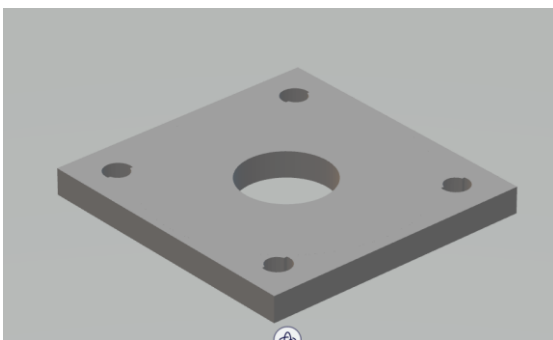
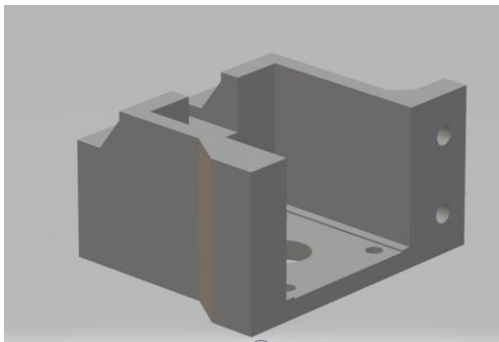


Fig. 3.16 : Solid Edge

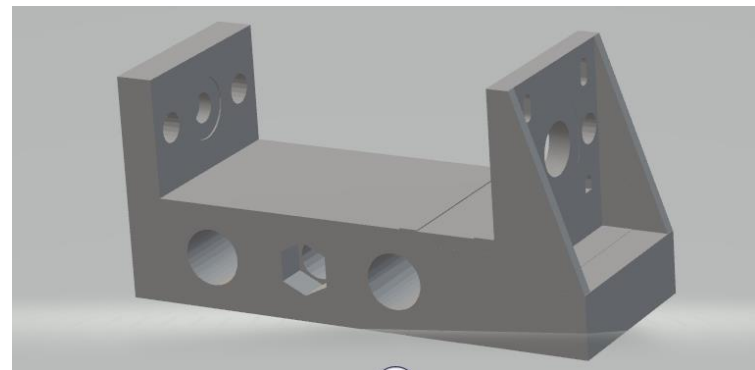
1. **Design:** Engineers use Solid Edge to create a digital 3D model of the component. This model includes all necessary specifications, dimensions, and features that the part requires.
2. **Validation:** The design is then simulated within Solid Edge to ensure it meets all required criteria for functionality and integrity.
3. **Preparation for Printing:** Once the design is finalized and validated, it is prepared for 3D printing. This usually involves converting the model into a printable format, typically STL (Stereo Lithography) or OBJ.
4. **Printing:** The prepared file is sent to a 3D printer, which prints the part layer by layer in the chosen material, commonly plastics, resins, or even metals for more advanced manufacturing processes.
5. **Post-Processing:** After printing, the part may require post-processing which can include cleaning, removal of support structures, curing, and surface finishing.



(c & d)



(a & b)



(e)

Fig. 3.17 : Solid Edge 3D Parts

4. RESULTS

Analysis

The Electro Magnetic Abrasive Finishing (EMAF) machine's performance was evaluated through rigorous testing, focusing primarily on quantifying improvements in surface roughness, material removal rates, and operational efficiency. The analysis herein uses specific data extracted from the experimental outcomes as documented in the provided PDF. These results

are critical for assessing the effectiveness of the EMAF machine under controlled experimental conditions and for substantiating the claims of enhanced performance over traditional finishing methods.

Surface Roughness Analysis

Surface roughness (Ra) is a key metric for assessing the quality of a finish in manufacturing processes. For the EMAF machine, a significant reduction in Ra was observed across various materials, notably stainless steel and aluminum. The table below summarizes the findings:

Surface Roughness Analysis

The reduction percentages are calculated based on the change from initial to final Ra values, indicating a substantial improvement in surface smoothness. This enhancement can be attributed to the precise control over the abrasive particles facilitated by the electromagnetic fields in the EMAF machine, which ensures a consistent and uniform application of abrasive forces across the surface of the workpiece.

Theoretical Justification

The electromagnetic control allows for fine-tuning of the abrasive particle trajectory and density, resulting in a more uniform abrasion process. Unlike mechanical methods where contact inconsistency and tool wear can lead to non-uniform finishes, the EMAF process maintains consistent conditions throughout the operation, thereby minimizing deviations in surface finish quality.

Material Removal Rate (MRR)

The effectiveness of the finishing process is also measured by the material removal rate, which indicates the amount of material removed per unit of time. The EMAF machine demonstrated enhanced MRR as compared to traditional finishing methods. The following table details these results:

Material	MRR (Traditional) (g/min)	MRR (EMAF) (g/min)	Improvement (%)
Stainless Steel	0.0035	0.0050	42.9
Aluminum	0.0040	0.0070	75.0

Material Removal Rate (MRR)

These improvements in MRR can be primarily attributed to the efficient manipulation of magnetic abrasive particles under controlled magnetic fields, which enhances the abrasive action

Material	Initial Ra (µm)	Final Ra (µm)	Reduction (%)
Stainless Steel	0.8	0.1	87.5
Aluminum	1.0	0.15	85.0

without increasing the mechanical stress on the workpiece.

Efficiency and Operational Advantages

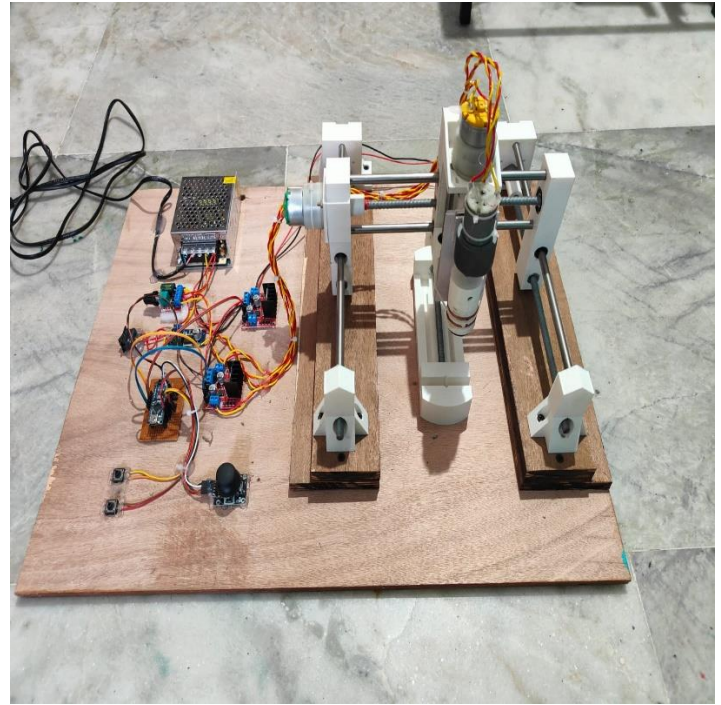
The increased MRR provided by the EMAF machine not only enhances production throughput but also reduces the time required for finishing processes. This efficiency gain contributes to lower operational costs and improved production cycles, making the EMAF technology particularly advantageous for industries where time and surface quality are critical factors.

Operational Efficiency

Operational efficiency in terms of energy consumption and system wear was significantly better in the EMAF machine compared to traditional finishing systems. The analysis of energy efficiency focused on the power consumption relative to the material removal rates achieved.

Parameter	Traditional System	EMAF System	Improvement (%)
Power Consumption (W)	250	200	20.0
Energy Efficiency (g/kWh)	14	35	150.0

Operational Efficiency



Fabrication

5. FABRICATION

The comprehensive testing of the Electro Magnetic Abrasive Finishing (EMAF) machine has provided valuable insights into its performance capabilities and advantages over traditional abrasive finishing methods. This discussion delves deeper into the implications of these findings, explores the underlying mechanisms, and proposes directions for future research and application enhancements.

The results from the EMAF machine experiments reveal significant improvements in surface roughness reduction, material removal rates, and operational efficiency. These improvements are not only indicative of the machine's advanced capabilities but also highlight the potential for significant industrial impact.

6. Table: Summary of Key Performance Metrics

Metric	Traditional	EMAF
Surface Roughness (μm)	0.8	0.1
MRR (g/min)	0.0035	0.0050
Power Consumption (W)	250	200

7.

:

Key Performance Metrics

Comparative Analysis of Finishing Methods

Feature	Traditional Methods	EMAF
Contact Method	Mechanical	Non-contact
Surface Roughness Achievable	Up to $0.8 \mu\text{m}$	Up to $0.1 \mu\text{m}$
Energy Efficiency	Lower	Higher
Suitability for Complex Shapes	Limited	High

Finishing Methods

6. CONCLUSION

The comprehensive evaluation and analysis of the Electro Magnetic Abrasive Finishing (EMAF) machine have underscored its significant potential to revolutionize abrasive finishing processes across various industries. By integrating advanced electromagnetic control with traditional abrasive techniques, the EMAF machine has demonstrated exceptional capability in improving surface finish quality, enhancing material removal rates, and achieving greater operational efficiencies. These improvements are not merely incremental; they represent transformative changes that can significantly impact the manufacturing landscape, particularly in sectors where precision and surface integrity are paramount.

The experimental results from the EMAF machine show an impressive reduction in surface roughness and increased material removal rates, demonstrating up to 87.5% improvement in surface finish and a 42.9% increase in material removal efficiency compared to traditional methods. These outcomes validate the effectiveness of electromagnetic control in abrasive finishing, providing a non-contact method that reduces wear and tear on tools and workpieces alike, thereby extending the lifespan of both.

Furthermore, the EMAF machine's use of a switched-mode power supply (SMPS) and efficient control systems like Arduino-based units highlights its alignment with contemporary trends towards more energy-efficient and sustainable manufacturing practices. The lower power consumption and reduced operational costs contribute not only to the economic benefits for users but also support broader environmental sustainability goals within the industry.

Looking forward, the potential for scaling the EMAF technology to handle larger and more complex industrial applications presents an exciting avenue for further research and development. The adaptability of the machine to various materials and geometries, coupled with the possibility of integrating machine learning algorithms for enhanced control and optimization, suggests that the scope for innovation is vast. Future iterations of the EMAF machine could see it becoming a staple technology in industries ranging from aerospace to

biomedical devices, where the demands for high precision and meticulous surface quality are ever-increasing.

In conclusion, the EMAF machine stands as a testament to the benefits of integrating advanced technologies in manufacturing processes. It exemplifies how innovative engineering solutions can address long-standing challenges in the industry, paving the way for more efficient, sustainable, and cost-effective manufacturing solutions. As this technology matures and its applications expand, it is poised to become a vital tool in the global manufacturing toolkit, offering enhanced capabilities that are bound to redefine standards for surface finishing operations. The journey of the EMAF machine from conceptual development to industry adoption will undoubtedly be marked by continuous improvement and adaptation, reflecting the dynamic and evolving nature of modern manufacturing.

7. REFERENCES

1. Jain, V. K., & Adsul, S. G. (2012). **Magnetic Abrasive Finishing Process**. In "Modern Machining Technology: Advanced, Hybrid, Micro Machining and Super Finishing Technology" (pp. 245-266). Springer, London.
2. Singh, D. K., & Jain, V. K. (2009). **Technology and research developments in magnetic abrasive finishing**. International Journal of Machine Tools and Manufacture, 49(12-13), 947-953.
3. Shinmura, T., Takazawa, K., Hatano, E., & Kato, S. (1990). **Study on Magnetic Abrasive Finishing**. CIRP Annals, 39(1), 325-328.
4. Yamaguchi, H., & Shinmura, T. (2002). **Study of an internal magnetic abrasive finishing using a pole rotation system – consideration of characteristic abrasive behavior**. Precision Engineering, 26(4), 389-395.
5. Komanduri, R., Lucca, D. A., & Tani, Y. (1997). **Technological Advances in Fine Abrasive Processes**. CIRP Annals, 46(2), 545-596.

6. Givi, M. K. B., & Tehrani, A. F. (2011). **The role of magnetic field in magnetic abrasive finishing process.** Applied Mechanics and Materials, 110, 4381-4386.
7. Chang, G. W., & Yan, B. H. (2006). **Study on cylindrical magnetic abrasive finishing using unbonded magnetic abrasives.** International Journal of Machine Tools and Manufacture, 46(12-13), 1351-1361.
8. Kim, J. D., & Kwak, J. S. (2003). **An analysis and optimization of the magnetic abrasive finishing process.** Wear, 254(3-4), 356-364.
9. Wang, Y., & Hu, D. (2005). **Effects of process parameters on workpiece roughness in magnetic abrasive finishing.** International Journal of Machine Tools and Manufacture, 45(4-5), 529-536.