

FINGERPRINT DOOR LOCK SYSTEM

Ritwik Rudra¹
MIT ADT UNIVERSITY
Loni, Pune, Maharashtra

Shrihari Inamdar²
MIT ADT UNIVERSITY
Loni, Pune, Maharashtra

Shreyash Kadam³
MIT ADT UNIVERSITY
Loni, Pune, Maharashtra

Mahesh Kamthe⁴
MIT ADT UNIVERSITY
Loni, Pune, Maharashtra

Dr. Upasani Dhananjay⁵
MIT ADT UNIVERSITY
Loni, Pune, Maharashtra

ABSTRACT

The use of fingerprint for identification has been employed in law enforcement for about a century. A fingerprint locker system using microcontroller uses fingerprint recognition system as a process of verifying the fingerprint image to open the electronic lock. This research highlights the development of fingerprint verification system using Arduino 1.6.3. Verification is completed by comparing the data of authorized fingerprint image with incoming fingerprint image. The incoming fingerprint image will first go through the extraction and filtering processes through which the information about it is obtained. Then the information of incoming fingerprint image will undergo the comparison process to compare it with authorized fingerprint image. In this work, the fingerprint module was trained to learn and identify whether the incoming fingerprint image is genuine or forgery. A much broader application of fingerprint is for personal authentication, for instance to access a computer, a network, an ATM-machine, a car or a home.

Index Terms: R305, Arduino, Buzzer, GSM Modem, Security

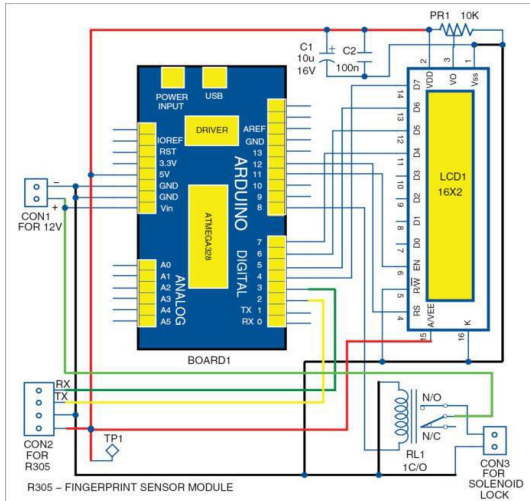
I. INTRODUCTION

In spite of numerous advantages of biometrics based personal authentication systems over traditional security systems based on token or knowledge, they are vulnerable to attacks that can decrease their security considerably. Biometrics-based personal authentication system that use physiological (fingerprint, face) or behavioral (speech, handwriting) traits are becoming increasingly popular, compared to traditional systems that are based on tokens (key) or knowledge (password). Fingerprint-based identification is one of the most important biometric technologies which have drawn a substantial amount of attention recently. Fingerprint technology is so common in personal identification that it has been well established. Each human has unique own fingerprint, even the twin have different fingerprint. So fingerprint recognition is useful in security law application. The electronic lock using fingerprint recognition involves a process of verifying the user's identity by using fingerprint recognition as a key to the electronic lock. This work highlights the development of fingerprint recognition system using ARDUINO 1.6.3. to recognize the input fingerprint image from the stored samples in bmp, tif; tiff; jpg; jpeg; gif file type. Then the information of the recognized fingerprint image will be store in database for verification authorized user. These fingerprint recognition systems are based on the hypothesis that the human fingerprint is unique. It is important to validate the individuality of fingerprint in order to use the fingerprint image for security related system. In real

application, the fingerprint data is recorded by using USB fingerprint scanner and then sent to a recognizer that will check the similarity of the user's fingerprint.

II. SYSTEM OVERVIEW

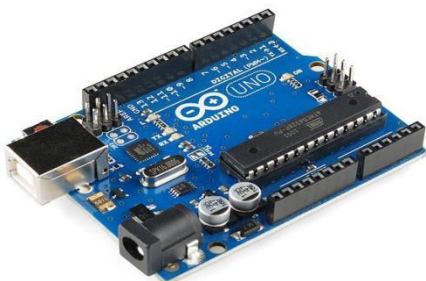
The system consists of an Arduino UNO, Fingerprint Module, Relay, DC motor, Jumper Wire.



III. COMPONENTS

The hardware part mainly consists of a digital computer, an Arduino Uno board, R305, 16x2 LCD displays, Relay and a Buzzer which is being discussed along with their specific functions.

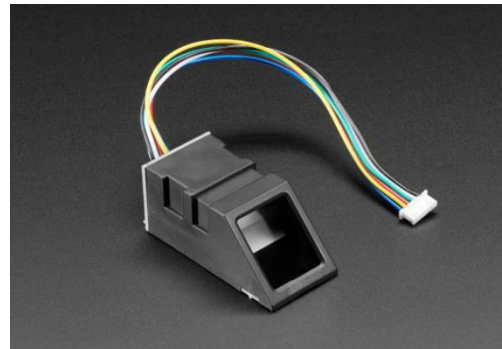
I. Arduino Uno



Arduino Uno [5-6] is a microcontroller board based on the ATmega328P. It has 14 digital input/output pins (of which 6 can be used as PWM outputs), 6 analog inputs, a 16 MHz quartz crystal, a USB connection, a power jack, an ICSP header and a

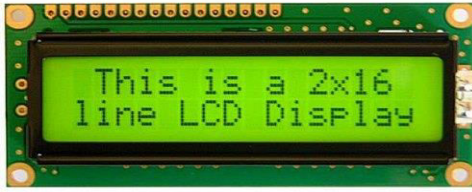
reset button. Most boards include a 5 V linear regulator and a 16 MHz crystal oscillator (or ceramic resonator in some variants), although some designs such as the Lily Pad run at 8 MHz and dispense with the onboard voltage regulator due to specific form-factor restrictions. An Arduino's microcontroller is also pre-programmed with a boot loader that simplifies uploading of programs to the on-chip flash memory, compared with other devices that typically need an external programmer. This board has a 5 volt linear regulator and a 16 MHz crystal oscillator.

II. Finger Print Scanner Module (R305)



R305 is a finger print sensor module [7] with TTL UART interface for direct connections to microcontroller UART or to PC through MAX232 / USB-Serial adapter. The user has compatibility to store the finger print data in the module and can configure it in 1:1 or 1: N mode for identifying the person. The FP module can directly interface with 3v3 or 5v Microcontroller. A level converter (like MAX232) is required for interfacing with PC serial port. Integrated image collecting and algorithm chip are together. Fingerprint reader can conduct secondary development and can be embedded into a variety of end products. R305 has Low power consumption, low cost, small size, and excellent performance professional optical technology. It also has good image processing capabilities i.e. can successfully capture image up to resolution 500 dpi.

III. Liquid Crystal Display (LCD)



Liquid Crystal Display screen [8-9] is an electronic display module and find a wide range of applications. A 16x2 LCD display is very basic module and is very commonly used in various devices and circuits. LCD stands for liquid crystal display. They come in many sizes 8x1 , 8x2 , 10x2 , 16x1 , 16x2 , 16x4 , 20x2 ,20x4 ,24x2 , 30x2 , 32x2 , 40x2 etc. .These modules are preferred over seven segments and other multi segment LEDs. The reasons being: LCDs are economical; easily programmable; have no limitation of displaying special & even custom characters (unlike in seven segments), animations and so on. A 16x2 LCD means it can display 16 characters per line and there are 2 such lines. In this LCD each character is displayed in 5x7 pixel matrix. This LCD has two registers, namely, Command and Data. The command register stores the command instructions given to the LCD. A command is an instruction given to LCD to do a predefined task like initializing it, clearing its screen, setting the cursor position, controlling display etc. The data register stores the data to be displayed on the LCD. The data is the ASCII value of the character to be displayed on the LCD.

IV. Servo Motor

A servo motor [12] is closed-loop servomechanism that uses position feedback to control its motion and final position. The input to its control is some signal, either analogue or digital, representing the position commanded for the output shaft. The motor is paired with some type of encoder to provide position and speed feedback. In the simplest case, only the position is measured. The measured position of the output is compared to the command position, the external input to the controller. If the output position differs from that require, an error signal is generated which then causes the motor to rotate in either direction, as needed to bring the output shaft to the appropriate position. As the positions approach, the error signal reduces to zero

and the motor stops automatically.

V. GSM Modem

GSM/GPRS RS232 [10-11] Modem from rhydo LABZ is built with SIMCOM Make SIM900 Quad- band GSM/GPRS engine, works on frequencies 850 MHz, 900 MHz, 1800 MHz and 1900 MHz It is very compact in size and easy to use as plug in GSM Modem. The Modem is designed with RS232 Level converter circuitry, which allows you to directly interface PC Serial port. The baud rate can be configurable from 9600- 115200 through AT command. Initially Modem is in Auto baud mode. This GSM/GPRS RS232 Modem is having internal TCP/IP stack to enable you to connect with internet via GPRS. It is suitable for SMS as well as DATA transfer application in M2M interface GSM/GPRS MODEM RS232 is built with dual band GSM/GPRS engine SIM900A works on frequencies 900/ 1800 MHZ. The modem is coming with RS232 interface, which allows you connect PC as well as microcontroller with RS232 chip (Max232).The Baud rate is configurable from 9600-115200 through AT command. The GSM /GPRS modem is having internal TCP/IP stack to enable you to connect with internet via GPRS. It is suitable for SMS. Voice as well as DATA transfer application in M2M interface .The onboard regulated power supply allows you to connect wide range unregulated power supply. Using this modem, you can make audio calls, SMS, read SMS, attend the incoming calls etc. through simple AT commands.

IV. Methodology

In this paper our main aim is to propose model for finger print biometric security. Proposed system architecture is shown in Figure 1.1 . Fingerprint biometric technology provides high level of recognition accuracy. The skin on our palms and soles exhibits a flow like pattern of ridges called friction ridges which makes fingerprint so unique identification for everyone. R305 scans the fingerprints of users and uses for ensuring authentication and follow the necessary steps as shown in Figure 1.2

1. Monitoring Arduino Reading

Arduino enables users to monitor various Arduino enables users to monitor various kinds of sensors such as finger print sensor and motion detectors in real-time. It has 14 digital input/output pins (of which 6 can be used as PWM outputs), 6 analog inputs, a USB connection, a power jack, a reset button.

The ATmega328 microcontroller embedded on the Arduino board contains the analog-to-digital

converter (ADC), which converts the analog input signal to a number between 0 and 1023. The analog and digital pins on the Arduino board can serve as general purpose input and output pins (GPIO). Usually the integer number is always proportional to the amount of the voltage being applied to the analog input. Any sensor operating on 5volts can be directly connected to the Arduino board. The biometric prototype has been implemented on the board

2. Controlling Actuators

The Arduino gateway controls the buzzer and initialization of GSM modem when there is negative match in R305 module. In this system it has two section one the transmitter section where the power supply of 5v is given through Arduino. The other one is the receiver section where input is given through finger print sensor module and implemented on Arduino. The Arduino receives the digital output and display in the LCD when there is a positive match or else it initiates the buzzer and the GSM modem. In this section we have used LCD to display the result of finger print biometric technology. The system is designed using the Arduino(IDE) platform.

I. Experimental Evaluation

In order to implement and demonstrate the system developed theoretically, we created a prototype that represents the system. Thus the whole system that is being developed is given below, (Fig. no: 1.3).

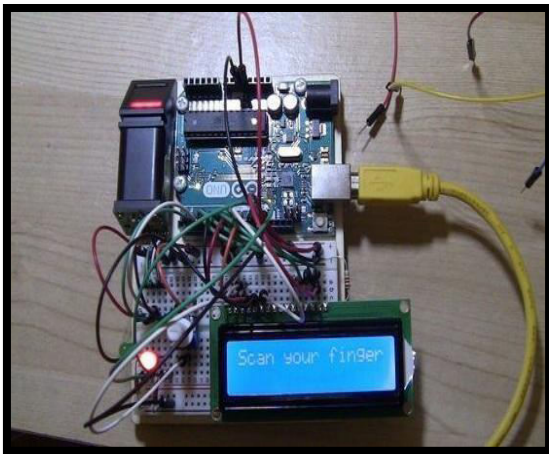


Fig.1.3. Prototype Circuit

I. Discussions and Conclusions

The biometric finger print system provides good solution to the security. A novel architecture for an economic Finger print biometric technology is proposed and implemented in this paper. It gives basic idea of how to detect the finger print using R305, Arduino Uno and Ardiono (IDE). The cost of this

technology is very economical. This project uses low cost off the shelf components, and is based on Arduino platform which is FOSS (Free Open Source Software). So the overall implementation cost is very cheap and is affordable by a common person. This low cost system is designed to improve the security system. It provides accurate finger recognition results eliminating the error where possible. For future work, some recommendation can be made like, addition of cameras for taking a snapshot for a negative match result. Retina scan security system can also be added for better security purpose. The whole system can be fabricated as economic commercial hardware package.

References

- i. <https://en.wikipedia.org/wiki/password>
- ii. <http://www.techopedia.com/definition/8797/password-protection>
- iii. <http://www.technovelgy.com/ct/technology-article.asp>
- iv. https://en.wikipedia.org/wiki/RFID_skimming
- v. <https://www.arduino.cc/en/Main/ArduinoBoardUno>
- vi. <https://en.wikipedia.org/wiki/Arduino>