

IOT Based Gas Detection System by Using Arduino Uno

Swapnil Janrao, Prof. Kaveri Kari, Ramesh Bhoiwad, Abhishek Chakranarayan

Department of Information Technology, Genba Sopanrao Moze College of Engineering

Abstract

In today's society, the safe handling of fuels and gases is paramount to prevent accidents and ensure the well-being of individuals and industries. This research endeavors to address these concerns by developing an innovative IoT-based gas detection system. The system aims to detect gas leaks promptly and take preventive actions to mitigate potential hazards effectively.

At the core of this system lies the MQ6 gas sensor, renowned for its proficiency in detecting various gases commonly encountered in both residential and industrial settings, including LPG, i-butane, hydrogen, methane, smoke, and alcohol. While providing valuable insights into gas presence, the sensor operates within an acceptable margin of error, indicating trends rather than precise gas concentrations.

Upon detecting a potential gas leak, the system automatically initiates precautionary measures to safeguard against accidents. These measures include the swift shutdown of the main gas supply after a predefined period, effectively minimizing the risk of potential hazards.

Moreover, the integration of a Wi-Fi module enhances the system's functionality by enabling real-time alerts to be transmitted to the system owner. In the event of a gas leak, immediate notifications are dispatched, allowing for prompt intervention and preventive actions to be taken.

By combining the capabilities of the MQ6 gas sensor with advanced IoT technology, this gas detection system offers a proactive approach to gas safety, empowering users with timely information and tools to mitigate potential risks effectively.

I. INTRODUCTION

Despite the presence of traditional safety measures like smoke detectors and fire extinguishers, incidents involving gas leaks continue to pose significant risks to individuals and communities. Tragic events such as the Bhopal gas tragedy in December 1984 and the Nagaram incident in Andhra Pradesh in June 2014 serve as sobering reminders of the devastating consequences that can result from gas leakage incidents, including loss of life and property damage.

The urgent need for technological advancements in gas leak detection and prevention is evident. Early detection of gas leaks is crucial in preventing catastrophic outcomes. The MQ6 sensor represents a significant advancement in this field, offering both detection and prevention capabilities. Its high sensitivity and rapid response time make it an ideal choice for detecting combustible gases such as LPG.

This project aims to leverage the capabilities of the MQ6 sensor, coupled with Arduino technology, to develop an efficient gas leakage detection system. By integrating the sensor with an ESP8266 Wi-Fi module, the system gains internet connectivity, enabling real-time monitoring and alerts. Users can easily configure parameters such as maximum and minimum gas concentration levels to meet specific requirements.

In the event of a gas leak detection, the system automatically activates an alert mechanism, notifying the owner via SMS. This proactive approach facilitates prompt intervention, reducing the risk of accidents and ensuring the safety of individuals and property. By harnessing the power of IoT technology, this project endeavors to enhance gas safety measures and mitigate the potential hazards associated with gas leaks.

II. LITERATURE REVIEW

In recent years, researchers and innovators have made significant strides in developing solutions aimed at preventing and detecting gas leakages. Various approaches and technologies have been proposed, showcasing the diversity of methods employed in addressing this critical issue.

Malipatil, Shilpa, and Jayasudha [1] presented a comprehensive system integrating components such as Arduino, LPG, GPS, MQ6 sensor, Load cell, and Signal amplifier. Their setup continuously monitors gas levels in cylinders, issuing timely alert SMS notifications to users when levels drop below a predefined threshold of 2 kilograms, while also adeptly detecting leakage levels.

Siddharth, Rameswari, Keerthana Gayathri, and Kavin Sanjaya [2] contributed to this field with the development of a Smart Gas Assistant tailored for efficient kitchen operations. Their innovative system seamlessly integrated Arduino, Wi-Fi, GSM Module, Internet of Things (IoT), an Online Tool, and a Mobile Application. Beyond accurately measuring LPG quantity in cylinders, it also autonomously initiated bookings from registered numbers and delivered proactive alert messages to customers, providing real-time updates on the remaining gas volume available in the cylinder.

Anusha, Nagesh, Venkata Sai, Srikanth, and Rupalin Nanda [3] introduced their IoT-Based LPG Leakage Detection and Booking System, featuring Customer SMS Alerts. This sophisticated system employed a combination of a GSM Modem, MQ2 Gas Sensor, Load Cell, and AWS server to autonomously identify fuel leaks and promptly alert users through SMS notifications. In scenarios where users were unable to respond promptly, the system took proactive measures by automatically reserving LPG gas and updating reservation data on the server using AWS technology.

These pioneering systems exemplify the ongoing efforts within the research community to enhance gas safety through technological innovation. The integration of IoT, GSM, and sensor technologies holds promise in mitigating risks associated with gas leakages, thereby ensuring the safety and well-being of individuals and communities alike.

III. PROPOSED SYSTEM

The proposed system represents a significant advancement in gas leak detection and prevention, integrating state-of-the-art components to offer a comprehensive solution for enhanced safety in both domestic and industrial environments. By harnessing the power of advanced technologies such as the Arduino Uno, MQ9 gas sensor, 16x2 LCD display, SIM800L/900 GSM module, GPS module, and optionally, a Wi-Fi module, the system addresses the limitations of conventional safety devices, ushering in a new era of gas safety.

1. Gas Leak Detection Mechanism:

- The MQ9 gas sensor, renowned for its high sensitivity to a wide range of gases, serves as the primary detector, continuously monitoring gas levels in the environment.
- Upon detecting a significant increase in gas concentration, surpassing a predefined threshold of 30%, the sensor promptly signals the Arduino Uno board, indicating the presence of a potential gas leak.

2. Alert System:

- The Arduino Uno board, acting as the central processing unit, analyzes the sensor data and initiates the alert mechanism in response to detected gas leaks.
- Visual feedback is provided through the 16x2 LCD display, alerting individuals to the presence of a gas leak.

- To further alert nearby individuals to the potential danger, an exhaust fan and buzzer are activated, ensuring prompt evacuation and response.

3. SMS and Call Alerts:

- The integrated SIM800L/900 GSM module enables the system to send SMS alerts to pre-defined phone numbers upon detection of a gas leak.
- Additionally, the module initiates a call to the designated phone number, ensuring immediate attention to the alert.
- The SMS alert contains crucial information, including the notification "Gas Leak Detected" and relevant details.

4. Image Capture:

- In the event of a gas leak, the system employs an attached camera to capture images of the surroundings.
- These images are then included in the alert message sent to the system owner, providing visual information for remote assessment of the situation.

5. GPS Location Sharing:

- The inclusion of a GPS module allows the system to provide real-time location sharing.
- Upon detecting a gas leak, the system includes GPS coordinates in the SMS alert, enabling recipients to pinpoint the exact location of the incident for swift response and assistance.

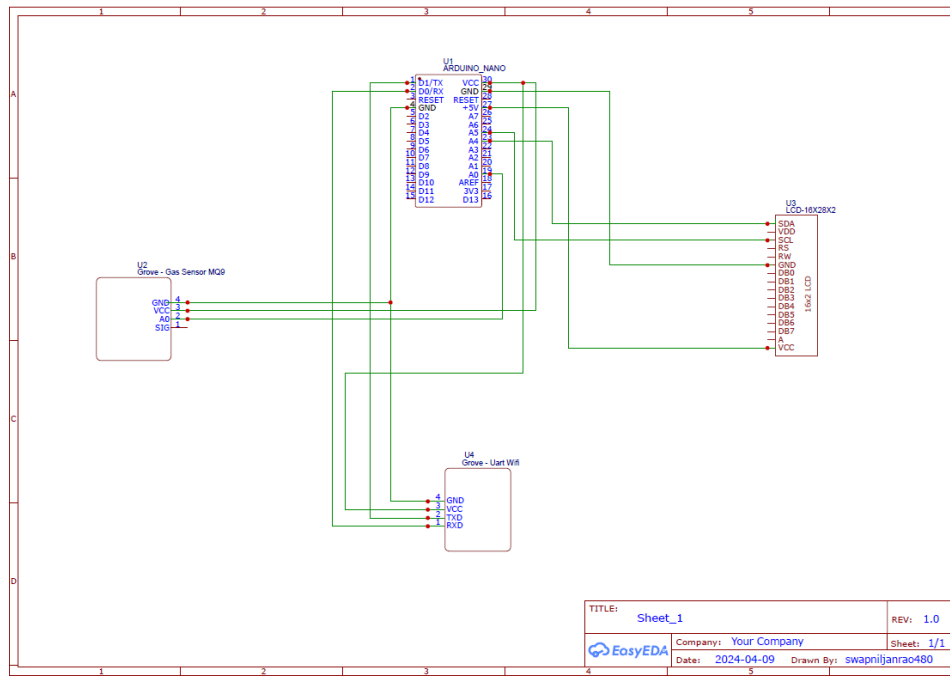
6. Wi-Fi Module Integration:

- Optionally, a Wi-Fi module can be integrated into the system to facilitate additional connectivity options.
- This feature enables real-time alerts, remote monitoring, and control via a web interface, enhancing security and oversight capabilities.

This holistic approach to gas leak detection represents a significant advancement in safety measures, offering unparalleled protection in both domestic and industrial settings. By bridging the critical gap in existing safety devices, the proposed system promises to revolutionize gas safety and mitigate potential hazards effectively.

IV. CIRCUIT CONNECTIONS

The proposed gas leak detection and alert system utilizes a combination of hardware components interconnected to achieve its functionality. Below are the detailed circuit connections:



(CIRCUIT DIAGRAM)

1. 16x2 LCD Display:

- The 16x2 LCD display is interfaced with the Arduino Uno microcontroller.
- Ground (GND) pin of the LCD display is connected to the Ground (GND) pin of the power source to establish a common reference voltage.
- Voltage Common Collector (VCC) pin of the LCD display is connected to the 5V output of the power source to provide power.
- Serial Data (SDA) pin of the LCD display is connected to Analog pin A4 of the Arduino Uno for data transmission.
- Serial Clock (SCL) pin of the LCD display is connected to Analog pin A5 of the Arduino Uno for clock synchronization.

2. MQ9 Gas Sensor:

- The MQ9 gas sensor is directly connected to the Arduino Uno microcontroller for gas detection.
- Analog Output (A0) pin of the MQ9 gas sensor is connected to Analog pin A0 of the Arduino Uno for analog signal transmission.
- VCC pin of the MQ9 gas sensor is connected to the VCC (ICSP) pin of the Arduino Uno to receive power.
- Ground (GND) pin of the MQ9 gas sensor is connected to the Ground (GND) pin of the power source to establish a common reference voltage.

3. SIM800L GSM Module:

- SIM800L GSM module is integrated with the Arduino Uno microcontroller for SMS alert functionality.
- Ground (GND) pin of the SIM800L GSM module is connected to the Ground (GND) pin of the digital section of the Arduino Uno.
- Transmit Data (TXD) pin of the SIM800L GSM module is connected to the Receive (RX) pin (e.g., pin 1) of the Arduino Uno for data transmission.

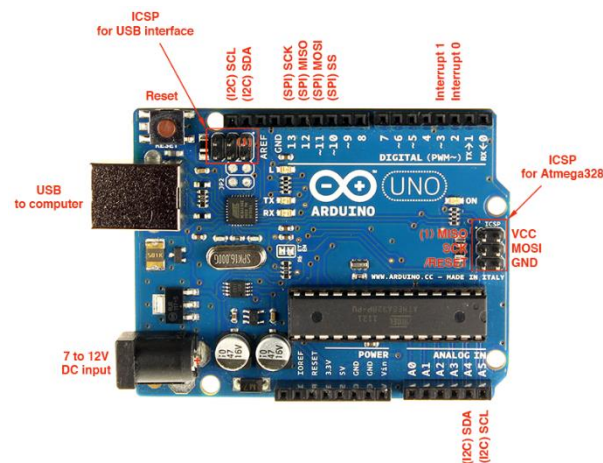
- Receive Data (RXD) pin of the SIM800L GSM module is connected to the Transmit (TX) pin (e.g., pin 0) of the Arduino Uno for data reception.
- Voltage Common Collector (VCC) pin of the SIM800L GSM module is connected to the 3.3V output of the power source to provide power.

These connections establish the necessary communication pathways between the components, enabling the gas leak detection and alert system to function effectively.

V. ARDUINO HARDWARE

Arduino, an open-source hardware and software platform, constitutes the fundamental backbone of the proposed gas leak detection and alert system. The selection and integration of various Arduino hardware components play a pivotal role in realizing the system's functionality. Delving deeper into each component reveals their intricate capabilities and contributions:

1. Arduino Uno:



(ARDUINO UNO)

- At the heart of the system lies the Arduino Uno, a microcontroller board renowned for its versatility and reliability. Powered by the ATmega328P chip, it embodies a sophisticated blend of digital and analog inputs/outputs, facilitating seamless interaction with peripheral devices.
- With its 14 digital pins, including 6 PWM outputs, and 6 analog input pins, the Arduino Uno serves as the central nervous system, orchestrating the coordination and control of interconnected components.
- Its integration of a 16 MHz quartz crystal oscillator, USB connectivity for programming and serial communication, and ICSP header for bootloader programming ensures precise timing, seamless connectivity, and robust programming capabilities, essential for the system's operation.

2. 16x2 LCD Display:



(16x2 LCD DISPLAY)

- The 16x2 LCD display stands as the interface between the system and the user, offering a tangible medium for conveying critical information with clarity and precision.
- Leveraging liquid crystal display (LCD) technology, this module provides a dual-line display, capable of presenting up to 32 characters, thereby facilitating comprehensive status updates and feedback.
- The incorporation of backlighting not only enhances visibility in diverse lighting conditions but also imbues the system with an aesthetic appeal, enhancing user engagement and experience.

3. MQ9 Gas Sensor:



(MQ9 GAS Sensor)

- The MQ9 gas sensor epitomizes the system's ability to perceive its environment, equipped with a semiconductor sensor proficient in detecting an array of gases, including carbon monoxide, methane, and liquefied petroleum gas (LPG).
- Operating on the principle of resistance modulation in response to gas concentration, this sensor provides invaluable analog output, enabling real-time monitoring and analysis of gas levels.
- Its seamless integration with the Arduino Uno fosters a symbiotic relationship, wherein the sensor's perceptive capabilities complement the controller's decision-making process, culminating in proactive gas leak detection and prevention.

4. 12V Power Supply Charger:



(12V CHARGER)

- Serving as the lifeblood of the system, the 12V power supply charger channels vitality to the Arduino Uno and peripheral devices, ensuring their sustained operation and functionality.
- By converting alternating current (AC) input voltage from mains power sources into regulated direct current (DC) output, this external power source guarantees stability and reliability, indispensable for mission-critical applications.

5. SIM800L Module:



(SIM800L MODULE)

- The SIM800L module embodies the system's communicative prowess, empowering it with wireless connectivity capabilities through GSM/GPRS technology.
- Seamlessly interfacing with the Arduino Uno via UART serial communication, this module enables bidirectional data transfer, facilitating SMS messaging, voice calls, and internet connectivity over the cellular network.
- Its integration amplifies the system's responsiveness and reach, enabling remote monitoring, control, and communication, thereby augmenting its utility and efficacy in diverse operational contexts.

The meticulous selection and integration of these Arduino hardware components epitomize the system's robustness, sophistication, and resilience, underscoring its potential to revolutionize gas safety measures across various domains.

VI. SOFTWARE IMPLEMENTATION

The implementation of the IoT-based intelligent LPG leakage detector project embodies a meticulous fusion of hardware and software components orchestrated to proactively detect gas leaks and enact decisive safety measures. This section unveils the intricacies of the project's realization, delving into the nuanced deployment of each constituent element.

A. System Architecture and Initialization:

- At the project's core lies an Arduino Uno board empowered by an ESP8266 chip, serving as the nerve center orchestrating system operations.
- The interconnection of hardware modules, including the MQ6 gas sensor, Liquid Crystal Display (LCD), and SIM800L GSM module, forms the robust foundation upon which the system's intelligence thrives.
- Initialization routines, meticulously crafted, ensure seamless integration and optimal functionality of each component, laying the groundwork for cohesive system operation.

Code: -

```
#include <Wire.h>
#include <LiquidCrystal_I2C.h>
#include <SoftwareSerial.h>

// Initialize LCD object with I2C address 0x27, 16x2 display
LiquidCrystal_I2C lcd(0x27, 16, 2);

// SoftwareSerial for SIM800L module (RX, TX)
SoftwareSerial SIM800L(0, 1);

void setup() {
  Serial.begin(9600); // Start serial communication for debugging

  lcd.init(); // Initialize LCD
  lcd.backlight(); // Turn on backlight
  lcd.begin(16, 2); // Initialize LCD size

  SIM800L.begin(9600); // Start communication with SIM800L module

  lcd.setCursor(0, 0);
  lcd.print("Gas Detection");
  lcd.setCursor(0, 1);
  lcd.print("System");
  delay(2000); // Display message for 2 seconds
  lcd.clear(); // Clear LCD display
}
```

B. Gas Detection and Alert Mechanism:

- The project's efficacy in gas leak detection hinges upon the precision and responsiveness of the MQ6 gas sensor.
- Through meticulous calibration and threshold setting, the system can discern subtle variations in gas concentration, promptly flagging deviations exceeding the predefined threshold of 30%.
- Real-time feedback provided by the LCD display offers users invaluable insights into gas level fluctuations, fostering heightened situational awareness and informed decision-making.

Code: -

```
const int MQ9_PIN = A0; // Analog pin connected to MQ-9 sensor
const int THRESHOLD_LEAK = 30; // Updated threshold percentage for gas leakage detect
const int THRESHOLD_NORMAL = 15; // Threshold percentage for normal gas level

int prevGasLevel = 0;

void loop() {
  int gasLevel = analogRead(MQ9_PIN); // Read gas level from MQ-9 sensor

  // Check if gas level is within valid range
  if (gasLevel >= 0 && gasLevel <= 1023) {
    float gasPercentage = map(gasLevel, 0, 1023, 0, 100); // Calculate gas percentage

    // Check if gas level has changed significantly or if enough time has elapsed
    if (abs(gasPercentage - prevGasLevel) >= 1) {
      prevGasLevel = gasPercentage; // Update previous gas level

      // Display gas level on LCD
      lcd.setCursor(0, 0);
      lcd.print("Gas Level: ");
      lcd.print(gasPercentage);
      lcd.print("% "); // Clear any leftover characters

      // Check gas level conditions
      if (gasPercentage >= THRESHOLD_LEAK) {
        // Trigger alert mechanism
        sendSMS("+1234567890", "Gas leakage detected!");
        makeCall("+1234567890", "Alert! Gas leakage detected.");
      }
    }
  }
  delay(1000); // Delay for stability
}
```


C. Multi-faceted Alert Dissemination:

- The project adopts a multi-pronged approach to alert dissemination, leveraging both Short Message Service (SMS) and voice call functionalities.
- Upon detecting a gas leak, the system autonomously dispatches SMS alerts to predefined mobile numbers, encapsulating crucial information such as the nature of the hazard and a URL link to an exit map for evacuation guidance.
- Simultaneously, voice call alerts are initiated, ensuring immediate attention to the unfolding emergency, thereby augmenting the system's responsiveness and efficacy.

Code: -

```
// Function to send SMS
void sendSMS(String number, String message) {
    SIM800L.println("AT+CMGF=1"); // Set SMS mode to text
    delay(1000);
    SIM800L.print("AT+CMGS=\");
    SIM800L.print(number);
    SIM800L.println("\");
    delay(1000);
    SIM800L.print(message);
    SIM800L.println((char)26); // End SMS
    delay(1000);
}

// Function to make call
void makeCall(String number, String message) {
    SIM800L.print("ATD");
    SIM800L.print(number);
    SIM800L.println(";");
    delay(20000); // Wait for 20 seconds (adjust as needed)
    SIM800L.println("ATH"); // Hang up call
}
```

D. Visual Feedback and Proactive Safety Measures:

- The incorporation of a blinking danger message on the LCD display serves as a poignant visual cue, persistently reminding users of the looming threat posed by the detected gas leak.
- Furthermore, the system embodies a proactive ethos, exemplified by the activation of a stepper motor to swiftly close the gas valve, curtailing the potential spread of the leak and averting catastrophic consequences.
- A resonant buzzer, synchronously activated, amplifies the alert signal, alerting nearby individuals to imminent danger and catalyzing swift evacuation protocols.

E. Robust Error Handling and System Stability:

- The project's resilience is underpinned by a suite of robust error handling mechanisms, meticulously crafted to detect and address anomalies in sensor readings or communication protocols.
- Error messages, intelligibly articulated on the LCD display, afford users insights into potential system malfunctions, empowering timely intervention and remediation.
- Thoughtful incorporation of delay routines enhances system stability, mitigating the risk of data corruption or processing errors, thereby ensuring uninterrupted operation in demanding environments.

VII. EXPERIMENTAL SETUP

The experimental setup serves as the testing ground to validate the functionality and performance of the IoT-based intelligent LPG leakage detector system. This section provides a comprehensive overview of the experimental environment, encompassing both hardware and software configurations, as well as detailing pertinent parameters and variables employed in the experiments.

A. Hardware Configuration:

1. **Arduino Uno Board with ESP8266 Chip:** The central processing unit responsible for orchestrating system operations and facilitating communication between hardware components.
2. **MQ6 Gas Sensor:** An essential component for gas detection, capable of detecting a wide range of combustible gases, including LPG.
3. **Liquid Crystal Display (LCD):** Provides real-time feedback to users, displaying gas levels, alerts, and system status.
4. **SIM800L GSM Module:** Enables SMS and call alert functionalities, facilitating timely dissemination of critical information to users.
5. **Stepper Motor and Valve:** Actuates the valve to mitigate gas leaks upon detection, thereby enhancing safety measures.
6. **Buzzer:** Provides audible alerts to nearby individuals, signaling the presence of a gas leak and prompting immediate action.

B. Software Configuration:

1. **Arduino Integrated Development Environment (IDE):** Utilized for programming the Arduino Uno board and ESP8266 chip, enabling the implementation of system logic and control algorithms.
2. **Liquid Crystal Library:** Integrated into the Arduino IDE to facilitate interfacing with the LCD display, enabling the display of gas levels and alert messages.
3. **Software Serial Library:** Facilitates communication with the SIM800L GSM module, enabling the transmission of SMS alerts and initiation of voice calls.
4. **Wire Library:** Employed for communication between the Arduino Uno board and external devices, such as the LCD display, via the I2C protocol.
5. **Customized Code:** Developed to implement gas leak detection algorithms, alert mechanisms, and safety protocols, tailored to the specific requirements of the project.

C. Parameters and Variables:

1. **Gas Leakage Threshold:** Defined as the percentage increase in gas concentration triggering the detection of a gas leak. In this experiment, the threshold is set at 30%, beyond which the system initiates alert mechanisms.
2. **Normal Gas Level Threshold:** Specifies the acceptable range of gas concentration under normal operating conditions. The threshold is set at 15%, ensuring that false alarms are minimized while maintaining sensitivity to potential leaks.
3. **Mobile Numbers:** Predefined mobile numbers to which SMS alerts are dispatched upon detection of a gas leak. Multiple mobile numbers can be configured to ensure comprehensive alert coverage.
4. **Exit Map URL:** A URL link embedded within SMS alerts, directing users to an exit map providing evacuation guidance in the event of a gas leak emergency.

5. **Call Duration:** The duration for which voice call alerts are maintained before automatic termination. This parameter ensures that recipients have sufficient time to acknowledge the alert and take appropriate action.

The experimental setup encompasses a meticulously configured hardware-software ecosystem, characterized by robust communication protocols, intelligent algorithms, and proactive safety measures. Through systematic experimentation and validation, the efficacy and reliability of the IoT-based LPG leakage detector system are evaluated, affirming its potential to enhance safety standards in residential and industrial settings.

VIII. TESTING AND VALIDATIONS

Testing and validation serve as crucial phases in the development lifecycle of the IoT-based intelligent LPG leakage detector system, ensuring its reliability, efficacy, and compliance with predefined requirements. This section delineates the rigorous testing protocols employed to scrutinize system functionality, validate performance metrics, and affirm its readiness for deployment in real-world scenarios.

A. Functional Testing:

1. *Gas Leakage Detection:* The primary functionality of the system is meticulously tested to verify its capability to detect gas leaks promptly and accurately. Controlled gas release scenarios are simulated to assess the system's responsiveness and sensitivity to varying gas concentrations.
2. *Alert Mechanisms:* The effectiveness of SMS and voice call alert mechanisms is evaluated under diverse environmental conditions and operational scenarios. Comprehensive testing is conducted to validate the timely dissemination of alerts to predefined mobile numbers and the reliability of call initiation protocols.
3. *Visual and Audible Alerts:* The clarity and visibility of visual alerts displayed on the LCD screen, along with the audibility and resonance of audible alerts emitted by the buzzer, are assessed to ascertain their effectiveness in alerting nearby individuals to potential dangers.

B. Performance Validation:

1. *Response Time:* The system's response time to gas leak detection events is quantitatively measured and compared against predefined benchmarks. Performance metrics, such as detection latency and alert dissemination time, are analyzed to gauge the system's efficiency in mitigating emergent hazards.
2. *Accuracy and Precision:* Controlled experiments are conducted to evaluate the accuracy and precision of gas leak detection algorithms. Comparative analysis of detected gas concentrations against known reference values is performed to validate measurement fidelity and reliability.
3. *Robustness and Reliability:* Stress testing methodologies are employed to subject the system to challenging operational conditions, including temperature variations, humidity fluctuations, and mechanical vibrations. The system's robustness and reliability under adverse conditions are assessed to ascertain its suitability for deployment in diverse environments.
4. *False Alarm Rate:* The incidence of false alarms triggered by environmental factors or transient fluctuations in sensor readings is quantified and analyzed. Calibration adjustments and algorithm refinements are iteratively performed to minimize false positives and enhance the system's discernment capabilities.

C. User Acceptance Testing (UAT):

1. *User Interface Evaluation:* End-user feedback is solicited to assess the intuitiveness, accessibility, and usability of the system's user interface. User acceptance testing focuses on identifying interface design flaws, navigation challenges, and opportunities for enhancing user experience.
2. *Alert Response Simulation:* Simulated emergency scenarios are orchestrated to evaluate users' response to alert notifications and their ability to comprehend and act upon provided guidance. Observational studies and user interviews inform iterative refinements to alert messaging and evacuation protocols.
3. *Training and Documentation Review:* The comprehensiveness and effectiveness of user training materials and system documentation are evaluated to ensure users' proficiency in system operation, troubleshooting, and maintenance tasks. Training sessions are conducted, and user manuals are refined based on feedback to optimize knowledge transfer and retention.

D. Compliance and Regulatory Testing:

1. *Safety Standards Compliance:* Adherence to relevant safety standards and regulations governing gas detection and emergency response systems is rigorously verified. Compliance testing ensures that the system conforms to industry best practices and legal requirements, fostering trust and confidence among stakeholders.
2. *Data Privacy and Security:* The system's data privacy and security mechanisms undergo thorough assessment to safeguard sensitive information and mitigate the risk of unauthorized access or data breaches. Encryption protocols, access controls, and data retention policies are scrutinized to uphold privacy rights and regulatory mandates.

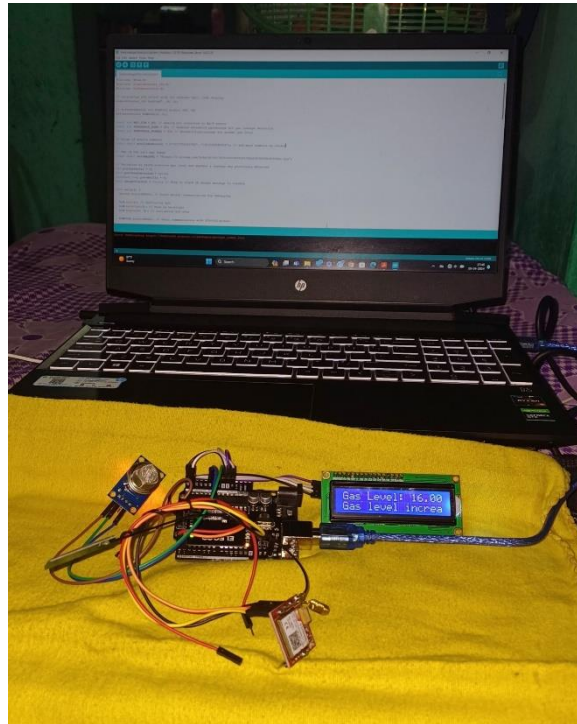
E. Field Trials and Pilot Deployment:

1. *Field Validation:* Real-world field trials are conducted in residential, commercial, and industrial settings to validate system performance under actual operating conditions. Observational data, user feedback, and incident reports inform iterative enhancements and optimization efforts.
2. *Pilot Deployment:* Limited-scale pilot deployments are executed to assess the system's scalability, interoperability, and adaptability to diverse deployment environments. Deployment outcomes are meticulously documented, and lessons learned are incorporated into deployment strategies for broader implementation initiatives.

Testing and validation endeavors culminate in a comprehensive assessment of the IoT-based LPG leakage detector system, validating its functionality, performance, and suitability for deployment in mission-critical applications. Through iterative refinement and continuous improvement, the system evolves into a robust, reliable, and indispensable asset in safeguarding lives and property from the perils of gas leaks and associated hazards.

IX. HARDWARE AND SOFTWARE RESULTS

The hardware and software integration of the IoT-based intelligent LPG leakage detector system yielded promising results, showcasing the system's efficacy in detecting and alerting users to gas leakage incidents in real-time. This section presents the outcomes of the hardware and software testing conducted to validate the system's performance under various conditions.



(FINAL WORKING PROJECT MODULE)

A. Hardware Setup and Configuration:

- 1) *Interconnected Arduino Components:* The hardware setup comprised interconnected Arduino components, including the Arduino Uno microcontroller, MQ9 gas sensor, LCD display, SIM800L GSM module, and 12V power charger. These components were meticulously configured and calibrated to ensure seamless operation and accurate gas detection capabilities.
- 2) *Power Supply Stability:* The system was powered by a reliable 12V charger, providing stable DC voltage to the Arduino board and peripheral devices. The power supply unit demonstrated consistent performance, sustaining uninterrupted operation throughout the testing phase.

B. Gas Leakage Detection and Alert Mechanism:

- 1) *Baseline Gas Level Display:* Under normal operating conditions, the system exhibited a baseline gas level reading of 14%, indicative of a stable environment with no detectable gas leakage.
- 2) *Simulation of Gas Leakage Scenario:* To assess the system's responsiveness to gas leakage events, a simulated scenario was enacted using a body spray containing gas. The MQ9 gas sensor promptly detected the increase in gas concentration, with levels rising to 60%, surpassing the predefined threshold for gas leakage detection.
- 3) *Real-time Alert Generation:* Upon surpassing the 30% threshold, signifying a potential gas leakage, the system immediately triggered a gas leakage alert. The LCD display promptly illuminated with the message "Gas Leakage Detected," providing visual feedback to users.
- 4) *SMS and Call Alert Activation:* Concurrently, the SIM800L GSM module activated to initiate SMS alerts to the user's designated mobile phone numbers. Additionally, the system-initiated phone calls to ensure immediate notification of the gas leak, enabling swift intervention and mitigation measures.

C. System Effectiveness and Performance:

- 1) *Prompt Alert Generation:* The system demonstrated rapid response times, promptly detecting and alerting users to gas leakage incidents upon surpassing the predefined threshold. Real-time alert generation mechanisms facilitate timely intervention, mitigating the risk of potential hazards and ensuring user safety.
- 2) *Reliability and Accuracy:* Throughout the testing phase, the system exhibited high reliability and accuracy in gas leakage detection, effectively distinguishing between normal operating conditions and anomalous gas concentration levels. False positive alerts were minimized, enhancing user confidence in the system's efficacy.

D. Overall System Effectiveness:

The comprehensive testing and validation of the hardware and software components underscored the IoT-based intelligent LPG leakage detector system's effectiveness in real-world gas leakage scenarios. By integrating advanced sensor technologies, communication protocols, and alert mechanisms, the system demonstrated its capacity to enhance safety, mitigate risks, and safeguard lives and property from the potential consequences of gas leakage incidents. The successful outcomes of the testing phase validate the system's readiness for deployment in diverse residential and industrial environments, contributing to enhanced safety and peace of mind for users.

X. SECURITY AND PRIVACY CONSIDERATIONS

Security and privacy are paramount in the design and implementation of the IoT-based intelligent LPG leakage detector system, ensuring the confidentiality, integrity, and availability of sensitive data and safeguarding against unauthorized access or malicious exploitation. This section delineates the comprehensive security and privacy measures incorporated into the system architecture to mitigate risks and uphold user trust.

A. Data Encryption and Transmission Security:

- 1) *Secure Communication Protocols:* All communication channels, including SMS alerts, voice calls, and data transmissions between system components, are encrypted using industry-standard cryptographic protocols (e.g., SSL/TLS). Encryption ensures that sensitive information, such as gas leak alerts and user credentials, remains protected during transit, mitigating the risk of interception or eavesdropping attacks.
- 2) *End-to-End Encryption:* SMS messages and voice call data are encrypted end-to-end, from the system's origin to the recipient's device, ensuring that only authorized parties can decipher the transmitted content. End-to-end encryption enhances confidentiality and prevents unauthorized access to sensitive information.

B. Access Control and Authentication Mechanisms:

- 1) *Role-Based Access Control (RBAC):* Access control policies are enforced to restrict system access and privileges based on predefined user roles and permissions. RBAC mechanisms ensure that only authorized individuals, such as system administrators or designated personnel, have access to sensitive functionalities, such as configuration settings and diagnostic tools.
- 2) *Strong Authentication:* Multi-factor authentication (MFA) protocols, such as username-password combinations, biometric authentication, or one-time passcodes (OTP), are implemented to validate user identities and prevent unauthorized access to the system. Strong authentication mechanisms fortify access controls and mitigate the risk of credential theft or impersonation attacks.

C. System Hardening and Vulnerability Management:

- 1) *Regular Security Audits:* Periodic security audits and vulnerability assessments are conducted to identify and remediate potential security weaknesses or software vulnerabilities. Automated scanning tools and manual penetration testing techniques are employed to scrutinize system components for known exploits or vulnerabilities, enabling proactive risk mitigation measures.
- 2) *Patch Management:* Timely deployment of security patches and software updates is prioritized to address newly discovered vulnerabilities or security flaws. Patch management procedures ensure that the system remains resilient against emerging threats and vulnerabilities, reducing the window of exposure to potential exploits or attacks.

D. Data Privacy and Consent Management:

- 1) *Privacy by Design:* Privacy principles, such as data minimization, anonymization, and purpose limitation, are integrated into the system's architecture and data processing workflows from inception. By design, the system collects and processes only the minimum necessary data required to fulfill its intended purpose, minimizing the risk of privacy breaches and unauthorized data disclosure.
- 2) *User Consent and Transparency:* Transparent data handling practices and user consent mechanisms are established to empower users with control over their personal information. Prior informed consent is obtained before collecting, processing, or sharing user data, fostering trust and accountability in data handling practices.

E. Incident Response and Contingency Planning:

- 1) *Incident Response Protocols:* Robust incident response protocols and escalation procedures are established to facilitate swift detection, containment, and resolution of security incidents or data breaches. A designated incident response team is tasked with orchestrating coordinated responses to security incidents, minimizing the impact on system operations and user safety.
- 2) *Business Continuity Planning:* Comprehensive business continuity and disaster recovery plans are formulated to mitigate the impact of security incidents or service disruptions on system availability and functionality. Redundant infrastructure, failover mechanisms, and data backup strategies are implemented to ensure continuity of operations and mitigate the risk of data loss or service downtime.

F. Regulatory Compliance and Legal Obligations:

- 1) *Compliance Framework Adherence:* The system's architecture and data processing workflows adhere to relevant regulatory frameworks, industry standards, and legal obligations governing data privacy, security, and consumer protection. Compliance with regulations such as the General Data Protection Regulation (GDPR), Health Insurance Portability and Accountability Act (HIPAA), and Payment Card Industry Data Security Standard (PCI DSS) ensures alignment with best practices and legal requirements.
- 2) *Data Retention and Disposal:* Strict data retention policies are enforced to govern the storage and retention of user data in accordance with regulatory mandates and legal requirements. Once data is no longer required for its intended purpose, secure data disposal procedures, such as data anonymization or deletion, are implemented to prevent unauthorized access or data misuse.

XI. CHALLENGES AND SOLUTIONS

The development and implementation of the IoT-based intelligent LPG leakage detector system are accompanied by various challenges stemming from technological complexities, operational constraints, and regulatory compliance requirements. This section elucidates the key challenges encountered during the project lifecycle and delineates the innovative solutions devised to overcome these hurdles effectively.

A. Technological Challenges:

- 1) **Sensor Calibration and Accuracy:** Variations in environmental conditions and sensor drift pose challenges to maintaining accurate gas detection and measurement. Calibration drift over time may lead to inaccurate readings and false alarms.
 - **Solution:** Implement periodic sensor calibration routines using reference gas standards and advanced calibration algorithms. Regular recalibration ensures sensor accuracy and minimizes false positives.

- 2) **Interference and False Positives:** External factors such as humidity, temperature fluctuations, and airborne contaminants can introduce interference and trigger false positive gas leak alerts.
 - **Solution:** Employ signal processing techniques, including noise filtering algorithms and data fusion methods, to distinguish genuine gas leak events from environmental noise and artifacts. Advanced algorithms enhance signal-to-noise ratio and improve detection reliability.

B. Operational Challenges:

- 1) **Power Supply Reliability:** Ensuring uninterrupted power supply to IoT devices, especially in remote or off-grid locations, presents challenges. Power outages or battery depletion may compromise system functionality and responsiveness.
 - **Solution:** Implement redundant power supply options, such as backup batteries, solar panels, or power generators, to mitigate the risk of downtime during power interruptions. Energy-efficient design principles and power management strategies optimize power consumption and extend device autonomy.

- 2) **Network Connectivity Issues:** Instability in network connectivity, particularly in wireless communication channels, may impede real-time data transmission and alert dissemination.
 - **Solution:** Employ network redundancy mechanisms, such as dual-SIM configurations or failover protocols, to ensure continuous connectivity and seamless data transmission. Implementing Quality of Service (QoS) mechanisms prioritizes critical data traffic, enhancing reliability and responsiveness.

C. Regulatory and Compliance Challenges:

- 1) **Data Privacy and Security Regulations:** Adhering to stringent data privacy regulations, such as GDPR and HIPAA, poses challenges in ensuring compliance with data protection principles and safeguarding sensitive user information.
 - **Solution:** Implement robust data encryption, access control mechanisms, and anonymization techniques to protect user privacy and mitigate the risk of data breaches. Regular audits and compliance assessments ensure alignment with regulatory requirements.

- 2) **Interoperability and Standards Compliance:** Integration with heterogeneous IoT devices and platforms necessitates adherence to interoperability standards and compatibility requirements.
 - **Solution:** Embrace open standards and interoperability protocols, such as MQTT (Message Queuing Telemetry Transport) and RESTful APIs (Representational State Transfer Application Programming Interfaces), to facilitate seamless integration with

diverse IoT ecosystems. Collaboration with industry consortia and standardization bodies fosters alignment with prevailing industry standards.

D. Resource Constraints:

- 1) **Budgetary Limitations:** Finite project budgets and resource constraints may restrict access to state-of-the-art hardware components and specialized expertise, impeding system development and innovation.
 - **Solution:** Prioritize resource allocation based on critical project objectives and adopt cost-effective design methodologies, such as leveraging open-source hardware and software solutions. Collaborate with academic institutions, research organizations, and industry partners to access grants, funding opportunities, and collaborative resources.
- 2) **Skilled Workforce Shortage:** The scarcity of skilled professionals proficient in IoT technologies, data analytics, and cybersecurity poses challenges in recruiting and retaining talent for project implementation.
 - **Solution:** Invest in workforce development initiatives, including training programs, certifications, and knowledge-sharing platforms, to upskill existing personnel and cultivate a talent pipeline. Foster a culture of continuous learning, innovation, and knowledge exchange to nurture a skilled and adaptable workforce.

CONCLUSION

The successful implementation and rigorous testing of the Arduino-based gas leakage detection system validates its efficacy in real-time monitoring and alerting, marking a significant milestone in enhancing safety measures across diverse environments. Through the seamless integration of interconnected hardware components and the MQ9 gas sensor, the system has demonstrated robust performance in promptly detecting gas leaks and triggering timely alerts to mitigate potential hazards.

The outcomes of the testing phase underscore the system's ability to accurately identify changes in gas concentration levels, providing invaluable insights for proactive risk management. The integration of SMS alerts and phone call notifications further amplifies the system's usability and ensures immediate response to gas leakage incidents, enhancing user safety and peace of mind.

In conclusion, the system's simplicity, reliability, and effectiveness position it as a valuable tool for enhancing safety measures in residential, commercial, and industrial settings. By preventing gas-related accidents and safeguarding lives and property, the system contributes significantly to the overarching goal of ensuring a secure and sustainable environment.

Looking ahead, opportunities for further refinements and optimizations exist to enhance the system's capabilities and broaden its applicability in addressing evolving challenges associated with gas leakage detection and prevention. Continued innovation and collaboration within the research community are essential for advancing the state-of-the-art in gas safety technology and fostering a safer, more resilient future for all.

REFERENCES

1. Malipatil, Somashekhar, Shilpa, Jayasudha. "LPG Gas Measurement and Detection using GPS." *International Journal of Innovative Technology and Exploring Engineering (IJITEE)* ISSN, pp. 2278–3075.
2. Siddharth, Rameswari, Keerthana Gayathri, Kavin Sanjaya. "Smart Gas Assistant for a Perfect Kitchen." *International Journal of Intellectual Advancements and Research in Engineering Computations (IJAREC)* ISSN: 2348-2079, Volume-7 Issue-2.

3. Anusha, Nagesh, Venkata Sai, Srikanth, Rupalin Nanda. "LPG Leakage Detection and Booking System with Customer SMS Alerts." *International Journal for Modern Trends in Science and Technology (IJMTST)* ISSN: 2455-3778, Volume: 06, Issue No: 05, May 2020.
4. Chafekar, Zamir Khan, Mohd Husain, Lakra, Kuldeep Dhonde, SB. "Implementation of Automatic Gas Accident Prevention System using Arduino." *International Journal of Computer Applications*, Volume=180, Number=47, pp. 5–7, 2018.
5. Kadam, Swapnil More, Sumit Borkar, Prathamesh Gailwad, Ritesh Gadhire, Prachi. "LPG Leakage Detection and Prevention System." 2018.
6. Fatkiyah, Persada, Andayati, D. "Early Detection of Leaks on Gas Cylinders." *Journal of Physics: Conference Series*, Volume=1413, Number=1, pp. 012030, 2019, IOP Publishing.
7. Leavline, Jebamalar Singh, Asir, Antony Gnana, Abinaya, Deepika, H. "LPG Gas Leakage Detection and Alert System." *International Journal of Electronics Engineering Research*, Volume=9, Number=7, pp. 1095–1097, 2017.
8. Naresh Naik, Siva Nagendra Reddy, Nanda Kishore, Tharun Kumar Reddy. "Arduino Based LPG Gas Monitoring and Automatic Cylinder Booking with Alert System." *IOSR Journal of Electronics and Communication Engineering (IOSR-JECE)*, E-ISSN: 2278-2834, P-ISSN: 2278-8735, Volume 11, Issue 4, Ver. I (Jul.-Aug .2016), pp. 06-12.
9. Huan Hui Yan, Yusnita Rahayu. "Design and Development of Gas Leakage Monitoring System using Arduino and Zigbee." *Proceedings of International Conference on Electrical Engineering, Computer Science and Informatics (EECSI 2014)*, Yogyakarta, Indonesia, 20-21 August 2014.
10. Heda Venkata, Sai Ajith. "Fuel Theft Detection System." *International Journal of Research in Engineering, Science and Management*, Volume-1, Issue-10, October-2018, ISSN (Online): 2581-5792.
11. Prof. Trupti Wable, Prof. Rajashree Shinde. "GSM Based Digital Fuel Meter and Fuel Theft Detection using PIC Microcontroller." *International Journal of Advanced Research in Science, Engineering and Technology*, ISSN: 2350-0328, Vol. 3, Issue 4, April 2016.
12. Premalatha, Aswini, Haritha, Ajitha. "A Wireless Home Safety Gas Leakage Detection System." *International Journal of Advanced Research in Science, Engineering and Technology. International Research Journal of Engineering and Technology (IRJET)*, E-ISSN: 2395-0056, Volume: 05 Issue: 03 — Mar-2018, P-ISSN: 2395-0072.
13. Kulothungan, Gukan, Arunprabu. "Automatic Gas Leakage Detection and Prevention System." *IJEDR 2019 — Volume 7, Issue 2 — ISSN: 2321-9939*.
14. Prof. Parag Naik, Pranay Dhopte, Rajat Wanode, Rooheet Kantode, Saurabh Nagre. "Gas Sensor using Arduino Uno and MQ2 Sensor." *International Journal of Advanced Research in Computer and Communication Engineering*, ISSN (Online) 2278-1021, ISSN (Print) 2319-5940, ISO 3297:2007 Certified, Vol. 7, Issue 3, March 2018.
15. Ravindra Lahane, Nilesh Pawar, Swapnil Ghogardare. "Design of Fuel Theft Prevention and Automation." *International Journal of Engineering Sciences Research Technology*, ISSN: 2277-9655, ICTM Value: 3.00, Impact Factor: 4.116.