

IOT Based Real Time Substation Power Line Auditing System For MSEDCL

Aditya M. Kadam¹, Gopal M. Raut², Pratapsinh S. Shinde³, Tushar V. Deokar⁴

¹ UG Student, Electrical Engineering Department, S. B. Patil College of Engineering, Indapur (MH), India, kadamaditya0280@gmail.com

² UG Student, Electrical Engineering Department, S. B. Patil College of Engineering, Indapur (MH), India, gmraut709@gmail.com

³ UG Student, Electrical Engineering Department, S. B. Patil College of Engineering, Indapur (MH), India, Pratapshinde337@gmail.com

⁴ Professor, Electrical Engineering Department, S. B. Patil College of Engineering, Indapur (MH), India, tushardeokar23@gmail.com

Abstract-

As the complexity of electrical distribution networks increases, the need for automation in substations becomes essential for ensuring the reliability and quality of power delivery. This paper presents a system designed to monitor and protect electrical circuits in real time by acquiring key parameters such as voltage, current, frequency, and temperature from power stations. These values are continuously transmitted over a network for monitoring and displayed on a screen. The system compares the real-time data with predefined limits, triggering a relay and buzzer if any parameter exceeds the threshold. If the fault persists, the relay isolates the affected load from the system, ensuring safety. This system, based on an Arduino Uno microcontroller, provides automated fault detection, protection, and timely alerts. The proposed design demonstrates how automation and monitoring can enhance power system reliability and prevent potential damage to infrastructure.

Keywords-

LCD display, Current Sensor, Voltage Sensor, ESP32, Losses Pot

I. INTRODUCTION

The increasing complexity of electrical distribution networks, coupled with the growing demand for uninterrupted and reliable power, has made it essential for utilities like Maharashtra State Electricity Distribution Company Limited (MSEDCL) to adopt advanced technologies for

efficient grid management. Traditional methods of monitoring and fault detection, primarily based on manual processes, are often slow, inefficient, and prone to errors, leading to delays in fault identification, power outages, and poor system reliability. In response to these challenges, this project introduces an IoT-based Real-Time Substation Power Line Auditing System for MSEDCL, aimed at revolutionizing the monitoring and management of electrical parameters within substations and power lines. By integrating Internet of Things (IoT) sensors and communication modules, the system continuously collects key electrical parameters such as voltage, current, frequency, and temperature from remote substations, transmitting real-time data to a central server for analysis. This data allows for the detection of anomalies and the automatic generation of alerts when predefined thresholds are exceeded, enabling prompt fault isolation and system protection through smart relays. The system's ability to provide real-time insights into the grid's health enhances MSEDCL's ability to respond quickly to faults, optimize energy distribution, and minimize system downtime. Moreover, the IoT-based approach reduces manual intervention, ensures more accurate data collection, and improves overall power quality and system reliability. Ultimately, this project aims to streamline the management of MSEDCL's power distribution network, providing enhanced visibility, better fault management, and improved operational efficiency,

thereby contributing to a more stable and reliable power supply to consumers.

II. LITERATURE SURVEY

1. IoT-based Power Line Monitoring and Fault Detection Systems:

Several studies have highlighted the potential of IoT for power line monitoring. IoT sensors embedded on power lines can detect various anomalies such as power loss, overloading, or physical damage. By using real-time data, these systems can quickly alert control centers, reducing response time to issues. A study by *Tufail et al* explored the use of IoT for monitoring power line health, which could be adapted for MSEDCL's needs. This system employed temperature, humidity, and vibration sensors to detect line degradation and faults.

2. Smart Substations Using IoT Technology:

Smart substations, which leverage IoT sensors, communication networks, and data analytics, are becoming an integral part of modern power distribution networks. *Singh and Garg* discussed the role of IoT in developing smart substations that offer remote monitoring, data logging, and automated fault detection. These systems allow the operators to monitor transformer load, voltage levels, and substation health in real-time, thus reducing downtime and improving efficiency. MSEDCL could adopt these techniques to monitor and manage their substations effectively.

3. Predictive Maintenance of Power Lines Using IoT:

Predictive maintenance has emerged as a promising approach for improving the reliability of power systems. Using IoT sensors to gather data on factors such as temperature, humidity, and strain, predictive models can forecast failures before they occur. Applied machine learning techniques to IoT-collected data for predicting power line failures. These predictions are based on historical data patterns, which can be valuable for MSEDCL to anticipate potential problems, reducing maintenance costs and improving power reliability.

4. Wireless Sensor Networks (WSN) for Power Line Monitoring:

Wireless sensor networks (WSN) are a cornerstone of many IoT-based systems. WSNs consist of distributed sensor nodes that communicate wirelessly with a central system to provide real-time

data. *Jain et al.* investigated the use of WSNs for monitoring power lines and substations in remote areas, where traditional wired systems may not be feasible. For MSEDCL, implementing WSNs could help in monitoring power lines in rural and hard-to-reach areas, where maintenance can be challenging.

5. Data Analytics and Cloud Computing for Real-Time Decision Making:

The IoT sensors in power line systems generate large volumes of data, which need to be processed efficiently to provide actionable insights. Studies like *Soni et al.* have explored the integration of data analytics and cloud computing with IoT for real-time decision-making in power systems. Cloud-based systems provide scalability and data storage, while advanced analytics can be used to predict faults, optimize load distribution, and prevent outages. For MSEDCL, this approach can enhance decision-making and resource allocation.

6. Cybersecurity Challenges in IoT-based Power Systems:

With the integration of IoT in the power grid, cybersecurity becomes a major concern. Hackers targeting power systems could cause significant disruptions. Several papers, including *Vaidya et al.*, have focused on cybersecurity solutions for IoT-based power systems. They suggest multi-layered security protocols and encryption techniques to protect the IoT network from unauthorized access. MSEDCL should prioritize cybersecurity while deploying IoT solutions to protect critical infrastructure from cyber threats.

7. Real-Time Communication Technologies for IoT in Power Systems:

Real-time communication is crucial for IoT systems, especially in the power sector where delays can result in significant losses. *Bhardwaj et al.* examined the role of 5G and low-power wide-area networks (LPWAN) in enabling fast and reliable communication in IoT-based power systems. 5G and LPWAN are expected to provide the low latency and high reliability necessary for real-time monitoring and fault detection. Implementing such communication technologies could improve MSEDCL's ability to monitor and control its power lines and substations effectively.

III. PROPOSED METHODOLOGY

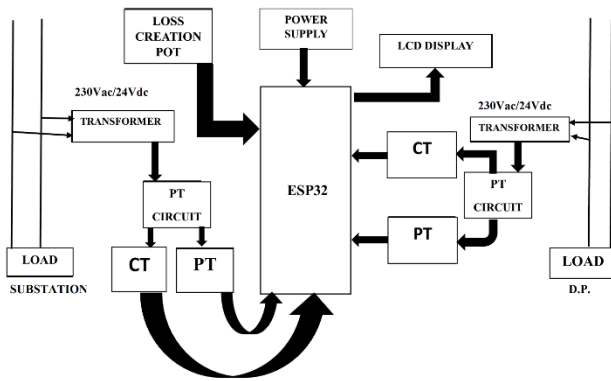


Fig.2. Block Diagram of IoT based real time substation power line auditing system for MSEDCL

1. Problem Statement

Substations and power lines are critical for the distribution of electricity. Monitoring these systems manually is inefficient and error-prone. Regular auditing of power lines and substations is vital for ensuring their proper functioning and for detecting potential faults before they lead to significant failures or outages. An IoT-based system can offer real-time monitoring, better fault detection, and improved reporting mechanisms for MSEDCL.

2. Objectives

- Develop a system that continuously monitors the performance of power lines and substations.
- Enable real-time data collection, fault detection, and automatic alerts to prevent failures.
- Improve auditing processes with detailed, real-time reports.
- Integrate sensors and communication technologies to collect data such as voltage, current, temperature, and leakage.
- Provide an accessible dashboard for engineers and operators to monitor data remotely.

3. System Components

- **IoT Sensors:**
 - **Voltage and Current Sensors:** Monitor the flow of electricity.

- **Temperature Sensors:** Track the temperature of critical components like transformers.
- **Leakage Detection Sensors:** Detect any leakage in insulation or equipment.

4. Data Collection and Processing

- Sensors continuously collect data related to power line operations and substation health.
- This data is transmitted to the cloud using communication modules (Wi-Fi, or GSM).
- In the cloud, the data undergoes preprocessing (filtering, noise removal, and calibration).
- Real-time monitoring algorithms analyze the data to detect abnormalities:
 - Overcurrent or undervoltage conditions.
 - Temperature anomalies indicating overheating.
 - Leakage or vibration issues signaling mechanical damage.
- Alerts and notifications are sent to engineers if any of these anomalies are detected.

5. Fault Detection & Diagnosis

- Use machine learning or statistical models to analyze sensor data and detect faults.
- Fault detection algorithms should be capable of identifying:
 - Overvoltage or undervoltage conditions.
 - Short circuits.
 - Equipment wear and tear.
 - Faults due to environmental factors like storms or wildlife interference.
- Historical data and predictive analytics can be used to forecast when maintenance might be required.

6. Testing and Calibration

- Initial testing of sensors to calibrate and ensure accuracy in measurement.
- Simulate faults in a controlled environment to test the system's fault detection accuracy.
- Validate the communication link to ensure data is reliably transmitted to the cloud.
- Assess the real-time response of the system for immediate corrective actions.

7. Maintenance and Upgrades

- Regular system updates for software, firmware, and hardware components.
- Upgrade machine learning models to improve fault detection accuracy.
- Perform preventive maintenance on the IoT devices to ensure optimal performance.

IV. DESIGN METHODOLOGY

An IoT-based real-time substation power line auditing system for MSEDCL uses smart sensors and wireless communication to monitor power parameters, detect faults, and optimize distribution. Data is processed via cloud analytics, enabling remote monitoring for improved efficiency and maintenance.

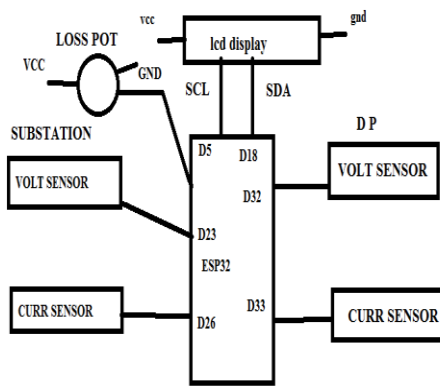


Fig.1 Circuit Diagram of IoT-based real-time substation power line auditing system for MSEDCL

V. HARDWARE REQUIREMENT

The basic elements required for this project are listed below

- ESP32
- CT sensor
- PT sensor
- Step-Down Transformer
- Losses Pot
- LCD display

VI. SOFTWARE FRAMEWORK

1. Set up Your ESP32

Before you start writing your code, ensure you have the following:

ESP32: An ESP32, Nano, or any other model.

ESP32 wifi module: Download and install the ESP32 wifi module if you haven't already.

Connection: Connect your ESP32 to the computer via USB.

2. Create a New Sketch

3. Understand the Structure of the ESP32 Program

4. Define Pins and Variables

5. Write Setup Code

6. Write Loop Code

7. Upload the Program to Your ESP32

8. Test and Debug

9. Final Testing

VII. RESULTS

- To provide useful information necessary for the maintenance optimization in transformer substation equipment;
- To improve the safe operation of all equipment;
- To extend the lifespan of the dedicated equipment and increase the safety of electric power transmission with consequences for end-users

VIII. FLOW CHART

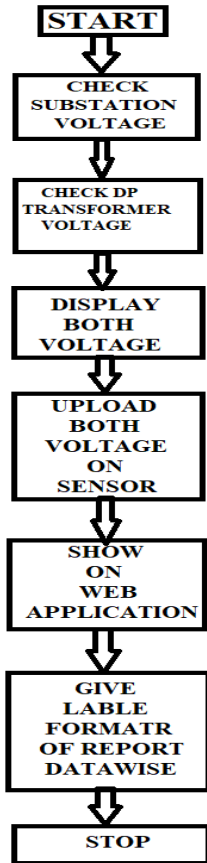


Fig. 2 Flow Chart

IX. APPLICATIONS

1. Real-Time Fault Detection and Monitoring

- **Application:** Continuous monitoring of power lines and substations through IoT sensors that measure parameters such as voltage, current, temperature, and leakage.

2. Power Loss Detection and Energy Efficiency

- **Application:** IoT sensors can detect energy losses due to inefficiencies or faults such as leakage or improper load balancing in substations and power lines.

3. Automated Reporting for System Performance

- **Application:** The system generates automated performance reports for substations and power lines, detailing system health, maintenance needs, fault incidents, and energy usage.

4. Predictive Maintenance

- **Application:** The system can predict potential faults or equipment failures by analyzing historical data, temperature, and load trends.

X. REFERENCES

- [1] J. L. Velásquez, R. Villafáfila-Robles, P. Lloret, L. Molas-Balada, A. Sumper, S. Galceran-Arellano, A. Sudrià-Andreu, Oct. 2007, "Development and implementation of a condition monitoring system in a substation", 9th International Conference on Electrical Power Quality and Utilisation, EPQU 2007.
- [2] P. Lloret, J. L. Velásquez, L. Molas-Balada, R. Villafáfila-Robles, A. Sumper, S. Galceran-Arellano, Oct. 2007, "IEC 61850 asa flexible tool for electrical systems monitoring", 9th International Conference on Electrical Power Quality and Utilisation, EPQU 2007.
- [3] D. Sacerdoțianu, I. Hurezeanu, A. Marinescu, Gh. Manolea and I.Purcaru, "Modern Equipment for Monitoring and Diagnosis of Transformer Substations, Implemented in Electric Retechnologized Substations in Romania", 3rd International Conference on Modern Power Systems MPS 2010, 18-21May 2010, Cluj-Napoca, Romania.
- [4] D. Pal, R. Meyur, S. Menon; M.J.B. Reddy; D.K. Moha, "Real-time condition monitoring of substation equipment using thermal cameras", Published in: IET Generation, Transmission & Distribution, (Volume: 12, Issue: 4, 2 27, 2018)
- [5] D. Hanafi, M.N. Ribuan, I.A. Wibowo, H. Hashim, M.I. Ismail "Simulation of substation integrated monitoring system using LabVIEW", Transaction on Power System Distribution, ISSN: 2229-8711 Online Publication, June 2011.

Books

1. ["Internet of Things: A Hands-On Approach"](#)

Author: Arshdeep Bahga, Vijay Madiseti

A practical guide to understanding and building IoT systems, including IoT architectures, protocols, and applications, with case studies on real-world systems like power grids.

2. ["Smart Grid: Fundamentals of Design and Analysis"](#)

Author: James A. Momoh

Focuses on the design and analysis of smart grids, covering advanced technologies, architecture, and control mechanisms crucial for modern power distribution.

Industry Standards

1. IEC 61850 - Communication Networks and Systems in Substations :-

- This international standard specifies the communication protocols for automation in substations. It defines how equipment within substations communicates and ensures interoperability between different manufacturers' devices.

2. IEC 62351 - Power System Management and Associated Information Exchange

Online Resources and Websites:-

- This standard specifies the security protocols required for communication in power system management and operational data exchange.

3. IEC 61508 - Functional Safety of Electrical/Electronic/Programmable Electronic Safety-Related Systems:-

- IEC 61508 addresses the functional safety of electrical and electronic systems and is widely adopted in industries such as power, oil & gas, and manufacturing.

Online Resource and Websites

1. National Institute of Standards and Technology (NIST)

- Website: <https://www.nist.gov>

2. Smart Grid Information Clearinghouse (SGIC)

- Website: <https://www.sgiclearinghouse.org>

3. IoT World Today

- Website: <https://www.iottechtoday.com>

4. SmartGrid.gov

- Website: <https://www.smartgrid.gov>