

# Optimizing Integrating STATCOM Technology into Standard Solar Inverters in Retail / Residential Power

Prakash Gopal, *B.E* and Karthikeyan Manoharan, *BE*

**Abstract**—Transforming Standard Solar Inverters into Integrating STATCOM Capabilities for Enhanced Reactive Power Management. This paper explores the potential of integrating STATCOM technology into standard solar inverters to improve power quality, grid stability, and renewable energy integration in homes.

I. INTRODUCTION TO STANDARD SOLAR INVERTERS Standard solar inverters are crucial for harnessing energy

from solar panels, converting DC power to AC power compatible with homes' electrical grids.

They convert the direct current (DC) produced by solar panels into alternating current (AC) that can be used by household appliances.

Grid Synchronization Standard inverters synchronize the AC output with the grid frequency and voltage, ensuring seamless integration with the existing electrical infrastructure.

II. MAXIMUM POWER POINT TRACKING (MPPT) They employ MPPT algorithms to optimize power generation from solar panels, maximizing energy harvesting under varying sunlight conditions.

III. LIMITATION OF STANDARD SOLAR INVERTERS Despite their role in solar energy utilization, standard in-

verters have limitations in managing reactive power, which can negatively impact grid stability.

Reactive Power Fluctuations Grid Stability Challenges Power Quality Issues

Solar inverters primarily focus on active power output, often resulting in fluctuations in reactive power, which can affect voltage and current quality on the grid.

These fluctuations can cause voltage sags or surges, impacting the reliability and stability of the grid, especially in areas with high solar penetration.

Poor reactive power management can lead to harmonic distortion, affecting the efficiency of electrical equipment and potentially causing disruptions in power quality.

*a) Reactive Power Management in Solar Systems:* Effective reactive power management is essential for ensuring stable and reliable power supply, minimizing voltage variations, and enhancing overall grid stability.

Voltage Control Reactive power management plays a vital role in controlling voltage levels within acceptable limits, preventing voltage sags or surges that can disrupt electrical equipment.

Power Factor Correction It involves adjusting reactive power to maintain a power factor close to unity, minimizing energy losses and improving grid efficiency.

Grid Stability Enhancement

Proper reactive power management enhances grid stability by reducing fluctuations and ensuring a consistent and reliable power supply.

Increased Renewable Energy Integration

By improving grid stability and power quality, reactive power management allows for greater integration of renewable energy sources, promoting a sustainable energy future.

2) Existing System:: Typical Schematic Diagram of traditional solar Inverter

3) Proposed System:: Concept of STATCOM (Static Synchronous Compensator) STATCOM is a type of power electronic device that provides a flexible and controllable source of reactive power, enabling dynamic voltage support and grid stability.

Voltage Source Converter (VSC)

The VSC converts DC power from a capacitor bank to AC power, allowing for precise control of reactive power injection.

Reactive Power Injection

By controlling the VSC, STATCOM can inject or absorb reactive power into the grid, adjusting the voltage and improving power factor.

Voltage Regulation

STATCOM maintains the voltage at a desired level, preventing fluctuations and ensuring a reliable power supply

IV. SIMULATION TOOL :

- MATLAB Simulink R2023b

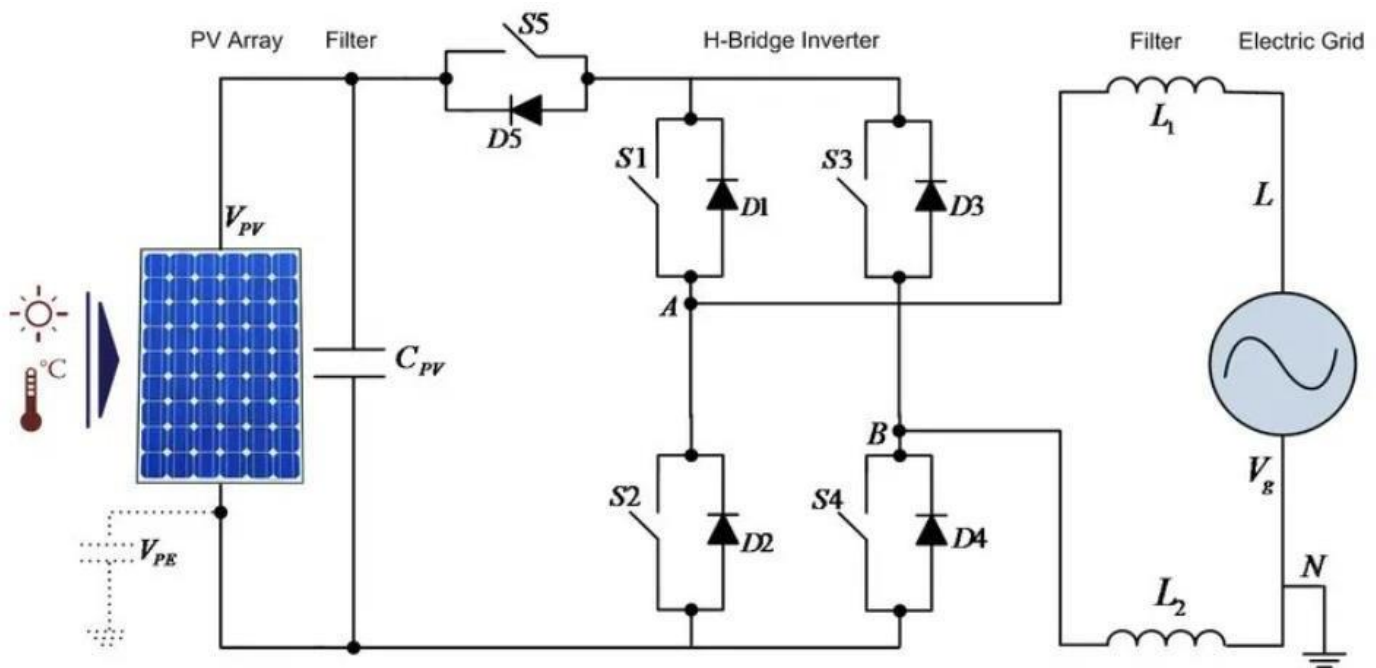


Fig. 1. Statcom General Diagram

*Future Implementation works::* •

Artificial intelligence Machine learning

Deep Learning

*Integrating STATCOM Capabilities into:*

1) Solar Inverters

Integrating STATCOM capabilities into solar inverters combines the benefits of both technologies, creating a powerful solution for reactive power management in residential solar systems.

2. Hybrid Inverter Design

STATCOM components can be integrated into the inverter's design, leveraging existing hardware and control systems. Improved Power Quality and Grid Stability This integration enables the inverter to actively manage reactive power, resulting in improved voltage stability and reduced harmonic distortion.

Enhanced Control Algorithms Advanced algorithms can be implemented to coordinate the STATCOM's reactive power injection with the inverter's active power output.

Increased Renewable Energy Penetration

By enhancing grid stability, the integration allows for a greater percentage of renewable energy sources to be connected to the grid, promoting sustainable energy practices.

a) *Benefits of STATCOM Enabled Solar Inverters:* STATCOM-enabled solar inverters offer significant benefits, including improved power quality, enhanced grid stability, and increased renewable energy integration.

Enhanced Grid Stability

Increased Renewable Energy

Integration Increased resilience to voltage sags and surges Greater capacity for solar penetration in the grid distortion Improved power factor energy sources

b) *Technical Challenges and Considerations:* While offering significant benefits, integrating STATCOM into solar inverters presents some technical challenges and considerations that require careful attention.

*Power Electronics:* The design and implementation of power electronics within the STATCOM unit require specialized expertise and careful consideration of efficiency, reliability, and thermal management.

*Control Algorithms:* Developing advanced control algorithms to ensure seamless coordination between the STATCOM and the inverter is essential for optimal reactive power management.

*Grid Synchronization:* Synchronizing the STATCOM output with the grid frequency and voltage requires precise control and robust communication systems to maintain grid stability.

## V. CONCLUSION AND FUTURE OUTLOOK

The integration of STATCOM capabilities into solar inverters presents a promising solution for enhancing power quality, grid stability, and renewable energy integration in homes.

VI. IMPROVED POWER QUALITY AND GRID STABILITY STATCOM-enabled solar inverters provide a reliable and consistent power supply, minimizing voltage fluctuations and harmonic distortion.

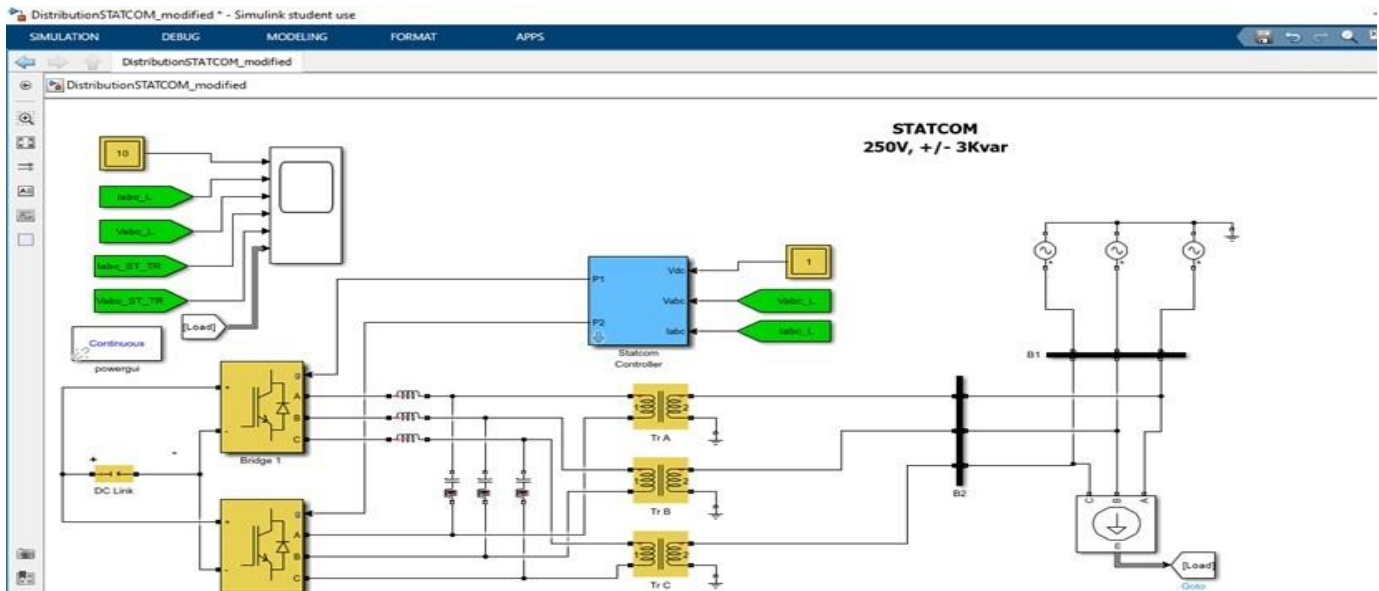


Fig. 2. Matlab simulation Schematic

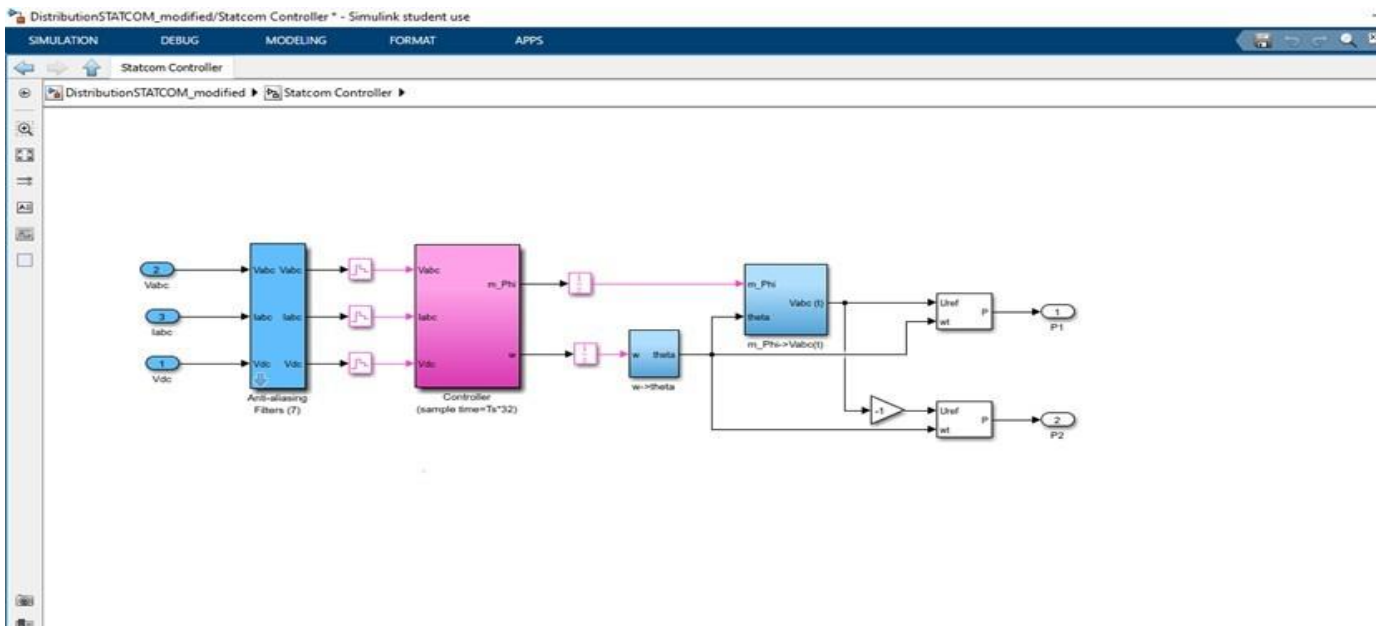


Fig. 3. Matlab simulation diagram

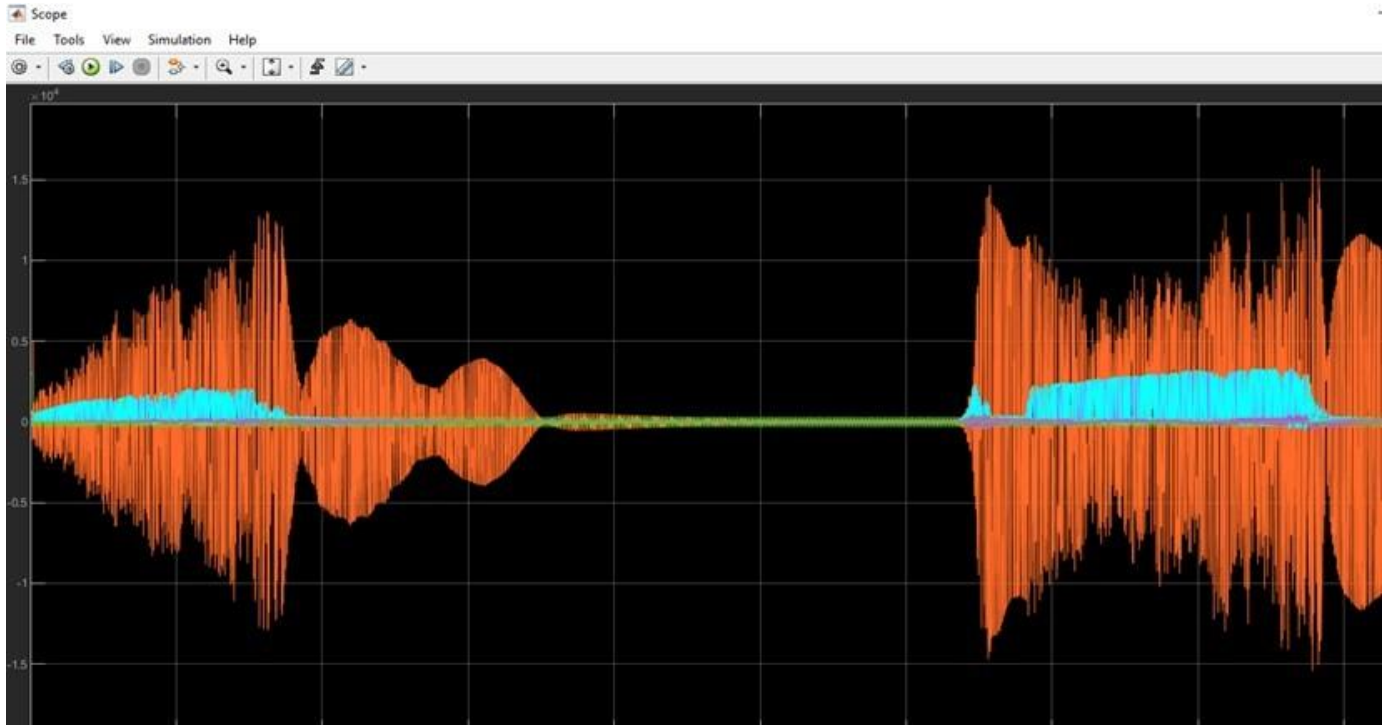


Fig. 4. Matlab Simulation Output

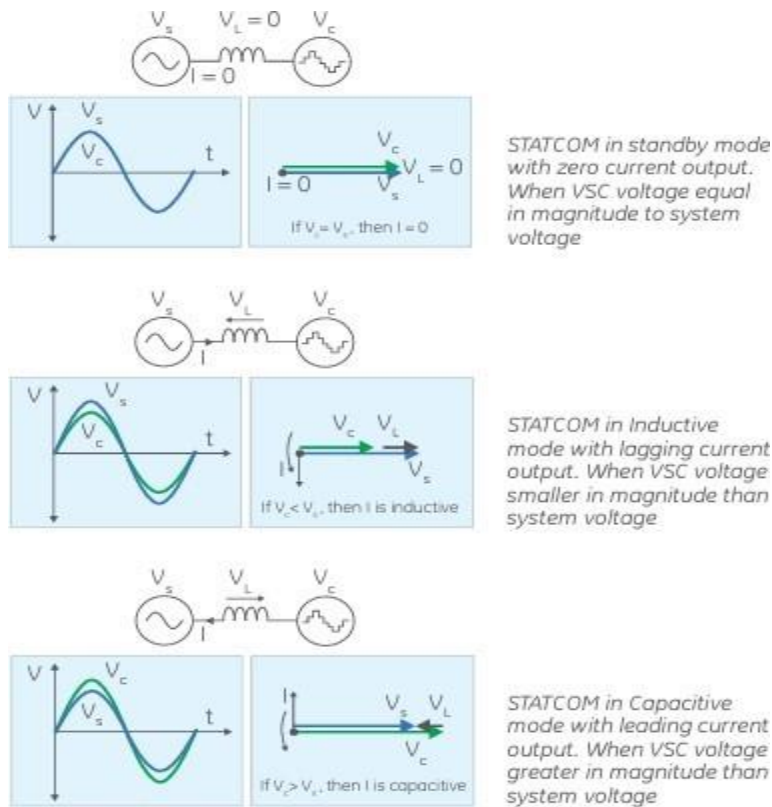


Fig. 5. Statcom - Modes

**VII. INCREASED RENEWABLE Energy**

By enhancing grid stability, the integration facilitates the adoption of renewable energy sources, promoting a cleaner and more sustainable energy future.

**VIII. FUTURE RESEARCH AND DEVELOPMENT**

Continued research and development will focus on optimizing STATCOM integration, exploring cost-effective solutions, and enhancing control algorithms for improved performance.

**REFERENCES**

1. *IEEE Transactions on Industrial Electronics*, 2024.L. Authors, D. Chen, P. Kim, Roberts, and Access, 2024.
2. *IEEE Transactions on Sustainable Energy*, 2024.J. Authors, A. Smith, R. Liu, and Johnson, *IEEE Transactions on Power Electronics*, 2024.  
R. Authors, K. Gupta, M. Sharma, and Singh.N. Mohan.
3. “Design and Implementation of a STATCOM for Grid-Connected PV Systems,” *IEEE Transactions on Power Electronics*.
4. “Recommended Practices and Requirements for Harmonic Control in Electrical Power Systems,” *IEEE*, vol. 519.
5. “CtaonntdroalrSdtsra: tegies for Grid-Connected PV Systems with STATCOM Capabilities,” *Journal of Renewable Energy*.  
A. M. Ahmed, T. Gupta, , and S. Patel, Eds.
6. “Standard for Interconnecting Distributed Resources with Electric Power Systems,” *IEEE*, vol. 1547.

**Prakash Gopal****Karthikeyan manoharan**