

SMART WASTE SORTING SYSTEM USING ARDUINO

Guide: Mr. D Veeraswamy, Assistant Professor, ECE & IARE

T.GREESHMA

Electronics and Communication Engineering

Institute of Aeronautical Engineering

Hyderabad, India

23955a0404@iare.ac.in

P.AKHILA

Electronics and Communication Engineering

Institute of Aeronautical Engineering

Hyderabad, India

23955a0403@iare.ac.in

Abstract—The paper is based on the embedded system technology used in waste management system under the health sector. Dumping garbage into the streets and in public areas is a common synopsis found in all developing countries and this mainly end up affecting the environment and creating several unhygienic conditions. In order to deal with these problems Smart dustbin is an ideology which we put forward is an embedded system. The continuous growth of the generated volumes of waste and garbage grasps the attention of researchers and experts in various fields. The collection and management process of this massive and distributed amount of waste presents a challenge, as it needs to be collected and processed as fast as possible. The accumulated amounts of waste can be a fundamental source for emitting poisonous gases and producing toxic material to the soil which leads to deadly consequences for the environment and causes serious health issues for human so it is critical to collect it as fast as possible. The smart waste management system is mainly for segregation of waste. Here, we consider waste material into two categories wet and dry. The dry waste again segregated as metal and non-metals. The main goal is to separate the metal waste which can be used for various purposes.

Index Terms—Keywords : Embedded system ,Sensor, Arduino, Waste Management, Servo Motor

I. INTRODUCTION

Garbage is an issue that needs to be handled very wisely. We separate household waste for easy disposal and recycling. We have seen garbage trucks come to homes badly and cause chaos in families. This is the reason why many citizens are packing too many containers in the open. This increases environmental pollution. Waste is a problem and we cannot ignore it. Garbage is the home of all insects that cause food poisoning and many other diseases. Waste control refers to the techniques, strategies and technologies used to manipulate the collection, transportation, disposal and recycling of waste. Waste control is designed to make sure that waste is disposed of in a safe and environmentally sound manner while promoting the conservation of assets and decreasing the poor impact of waste on public health, cleanliness and the environment. A normal waste management system has many components such as waste collection, transportation, treatment and disposal. Garbage collection involves collecting waste from homes,

businesses and other places and transporting it to waste treatment plants. Waste transportation involves transporting waste from collection points to treatment plants, usually using specialized trucks and equipment. Waste treatment involves sorting, sorting and treating waste to facilitate recycling, composting or disposal. Recycling involves turning waste into new products, while composting breaks down organic waste into valuable nutrients that can be used as fertilizer. Waste disposal usually involves burial in landfills or power plants that convert waste materials into energy. Typical, a nicely-designed waste control gadget can help reduce pollution, preserve natural resources and contribute to sustainable development. proper waste management requires the collaboration of individuals, agencies, and government businesses at all stages so that waste is disposed of in a green and environmentally sound manner.

A WASTE MANAGEMENT

Waste control answers encompass smart sensors that use ultrasonic era to measure fill levels in and out of packing containers. They send data to the clever Waste control device, a powerful cloud-based platform, through diverse IoT communications. The aim is to provide cities and businesses with data-driven decision making and waste collection optimization. Monitoring and finding the appropriate process is an important issue, some processes, such as the government, should establish strict rules to prevent people from littering against businesses that do not use Biodegradable materials, use recycled materials, reduce bad products, reuse the product, such use will reduce waste to some extent. Along with this, the idea of using technology is introduced to dispose of garbage correctly and reduce its damage. Everyone wants to visit a new and clean city. A stinking city full of garbage does not attract tourists, does not waste money and time. For the reason that

we're a developing united states, waste control may be very critical and like a rustic with a huge populace, we need to govern and control the whole thing effectively. stable waste management (SWM) is a primary undertaking going through many city municipalities (ULB) in India, where urbanization, industrialization and economic growth are leading to an boom in municipal

stable waste (MSW) in line with capita. effective SWM is a chief challenge for towns with high populace density. reaching sustainable improvement in a rustic with a unexpectedly growing populace and rising dwelling standards is greater difficult in India as it's miles a various country 2 with many faiths, cultures and traditions. no matter social, financial and environmental traits, the SWM device in India has remained unchanged

WET WASTE

Wet waste is defined as food, contaminated food, hygiene products, garden waste, all organic materials like wipes and paper towels, and other products. Dirt that can be recycled. Used for wet waste composting. it's far vital to split wet and dry waste because dry waste need to be freed from contamination for recycling. Wet waste, also known as organic waste, is biodegradable waste that contains organic compounds like food waste, garden waste, and animal waste. Such waste typically has a high moisture content and is easy to decompose. moist waste is often separated from other types of waste along with plastic and paper and can be used for composting or shredding to supply biogas and compost. Proper management of wet waste is important to reduce carbon monoxide emissions and con- serve natural resources.

DRY WASTE

Dry Waste Dry waste contains: Paper Glass Plastics Cardboards Rubbers Metal- based food-packaging material cloth, and many others. Even milk cartons and packets pass right into a dry waste bin. Dry wastes are recyclable but might get rejected if far infected or soiled. Dry there are so many cloths which can be reused and some number of them are papers and steel. Scrap metal refers to scrap metal products and materials that are no longer useful or desirable. These include materials like steel, aluminum, copper, brass and copper.

METAL WASTE

Metal waste originates from several sources, together with groups, production websites and families. Recycling steel waste is vital because it enables preserve natural sources and decrease waste dispatched to landfills. Steel recycling includes sorting and separating exclusive varieties of metals, casting aside impurities, melting them together to make some new merchandise.

NON-METAL WASTE

Non – Metal waste Non-metal waste, paper, plastic, glass, textile, rubber, wood, etc. refers to wastes that do not contain metal, such as These materials are usually derived from natural materials and may be biodegradable or non-biodegradable. Non-metallic waste is generated from many sources, including households, businesses and industries. Recycling non-metallic waste is important for conserving natural resources, decrease energy usage and reduce waste sent to landfills. Recycling non-metallic materials usually involves sorting and sorting of different materials, cleaning to remove contaminants, and making new products.

B EMBEDDED SYSTEMS

An embedded gadget is a microprocessor-based

laptop hardware machine whose applications is designed to run stand-alone, or as part of a bigger gadget. In impact, there are combos designed to fulfill the functions of time. The scomplexity ranges from a microcontroller to a fixed of processors with related peripherals and networks; from no man or woman interface to complicated graphical consumer interfaces. The complexity of an embedded device varies significantly depending on the duties it poses. Embedded system programs variety from virtual clocks and microwave ovens to hybrid motors and avionics. as plenty as 98 percent of all microprocessors produced are used in embedded structures. Embedded structures are controlled via microcontrollers or virtual sign processors (DSPs), software-particular integrated circuits (ASICs), field programmable gate arrays (FPGAs), GPU technology, and gate arrays. This commercial company approach is blanketed with unique merchandise for the delivery of electricity and/or associated device. Embedded device programming commands, called firmware, are saved in read- most effective reminiscence or flash memory chips to artwork with limited hardware components. Embedded structures communicate with the outside worldwide thru peripheral devices that connect input and output devices. The simple model of the embedded gadget consists of the subsequent elements: Sensor: A sensor measures the bodily price and converts it into an electric sign that can be study through the electrical or digital gadget manufacturing technician. The sensor stores the measured values in its reminiscence. A-D Converter: The analog to digital converter converts the analog sign dispatched through the sensor into a digital signal. processor and ASIC: The processor evaluates the data to evaluate the output and save it in reminiscence.

D-A Converter: digital- to-Analog Converter converts virtual information supplied by using the processor to analog data. memory: reminiscence, difficult disk, programs, software, statistics entry adjustments, features, teaching messages, and so on. The simple model of the embedded gadget consists of the subsequent elements: Sensor: A sensor measures the bodily price and converts it into an electric sign that can be study through the electrical or digital gadget manufacturing technician. The sensor stores the measured values in its reminiscence. A-D Converter: The analog to digital converter converts the analog sign dispatched through the sensor into a digital signal. processor and ASIC: The processor evaluates the data to evaluate the output and save it in reminiscence.

D-A Converter: digital-to-Analog Converter converts virtual information supplied by using the processor to analog data. memory: reminiscence, difficult disk, programs, software, statistics entry adjustments, features, teaching messages, and so on.

II. METHODOLOGY

SOFTWARE REQUIRED 3.1 Arduino IDE: Arduino IDE is the software program used to operate the Arduino board. The software program is used as a text

editor to create, open, edit and examine Arduino code.

The code or program in Arduino

is known as a "comic strip". The Arduino incorporated development surroundings (IDE) is a software program for writing, writing and uploading code to the Arduino board. It provides an easy-to-use interface for programming Arduino boards and simplifies the code era and add process. The Arduino IDE is primarily based on a programming language and open supply, which means it's loose to apply and may be modified by way of everybody. it's miles to be had for windows, Mac OS X and Linux working structures. Arduino IDE includes code editor, compiler, bootloader and serial reveal. The code editor is used to write and edit Arduino code based on the C/C++ programming language. The compiler is used to convert the code into a format the Arduino board can understand and the bootloader is used to upload the code to the board. The serial monitor is used to communicate with and receive data from the development board. Overall the Arduino IDE is a must-have tool for all Arduino board development users as it simplifies the process of working and passing code to the board leader. Its user friendly interface and clear nature make it popular with hobbyists, students and professionals.

HARDWARE REQUIRED

Arduino Uno

Inductive Proximity Sensor

Proximity sensor

IR sensor

Moisture sensor

Servo Motor

Lead Acid

Battery

Rotating Plates

Connecting Jumper wires

ultrasonic waves. The sensor emits an ultrasonic wave and receives the reflected wave back from the target. • IR Sensor emits in order to sense some aspects of the surroundings. • Moisture Sensor calculates the volumetric water content in the soil. Reflected

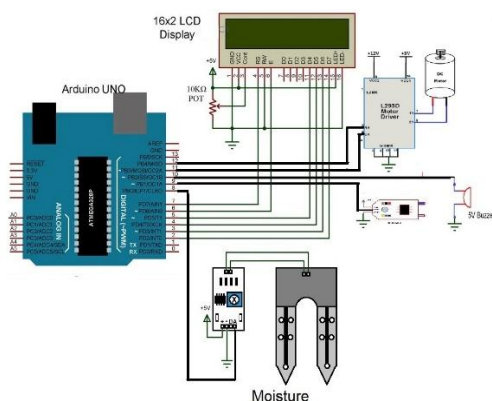
microwave radiation is affected by soil moisture and used for remote sensing hydrology and agriculture. DC motor which is connected to the digital pins of Arduino We are using serial monitor for the display

conclusion:

A **smart waste sorting system** offers an innovative and effective solution to manage waste sustainably, reducing the environmental burden and promoting efficient recycling. By leveraging technologies such as **AI, IoT, and automation**, these systems can:

1. **Improve Recycling Rates:** Accurate sorting of recyclable materials ensures a higher recovery rate and minimizes contamination, making recycling more effective.
2. **Reduce Landfill Waste:** Diverting waste from landfills helps conserve space, reduce greenhouse gas emissions, and mitigate the environmental impact
3. **Enhance Operational Efficiency:** Automation and real-time data collection streamline waste management processes, saving time and reducing labor costs.
4. **Promote Public Awareness:** Integrated user interfaces and community education encourage proper waste disposal and sustainable practices.
5. **Support Circular Economy:** By ensuring high-quality material recovery, smart sorting systems contribute to the lifecycle of products being reused or repurposed.

III. ARIHITECTURE DIAGRAM



Here, the figure depicts an integration of Smart Waste Management System with a 3-tier sensor processor device system.

- Ultrasonic Sensor measures distances by using

A smart waste sorting system enhances recycling efficiency, reduces landfill waste, and supports sustainability by leveraging technologies like IoT. It improves material recovery, minimizes contamination, and promotes eco-friendly practices. Despite initial costs, its long-term benefits in waste management and environmental impact make it a crucial solution for a sustainable future.

ACKNOWLEDGMENT

We would like to express our sincere gratitude to everyone who contributed to the development of the smart waste sorting system. Special thanks to the researchers, engineers, and developers for their dedication and innovation, as well as to stakeholders for their support and collaboration. We also acknowledge the valuable insights provided by environmental experts and the encouragement from community members in promoting sustainable waste

management. Your collective efforts have been instrumental in making this project a reality, driving us

closer to a cleaner and more sustainable future.

D'SOUZA (MIT, Mangalore)

REFERENCES

- [1] [1] 2017 5th International Conference on Instrumentation, Control, and Automation (ICA) Yogyakarta, Indonesia, August 9-11, 2017
- [2] [2] IOT Based Smart Garbage alert system using Arduino UNO Date and journal: 2016 IEEE Region 10 Conference (TENCON) Author: Dr.N.SATHISH KUMAR, B.VIJAYALAKSHMI, R. JENIFER-PRARTHANA, A .SHANKAR (S.R.M., Coimbatore, INDIA)
- [3] [3] SMART WASTE MANAGEMENT SYSTEM Date and journal:2015, ICCES Author: MS. NIRMALA Y BARIKER, MR. JASONVINOD arabeet
- [4] [4] Solid waste management based upon IoT or Smart city Date and Journal: ICICCS 2017 Author: Krishna Nirde, Prashant S. Mulay,UttamM.Chaskar (C.O.E. Pune).
- [5] [5] Smart bin using Arduino and other sensors Date and journal: 2013 by FCIS Author: Yusuf et al
- [6] [6] SVASTHA: An effective solid waste management system in An- droid OS Date and journal: 2013 by IEEE Global humanitarian technology Author: Issac and akshai
- [7] [7] WIRELESS DUST BIN MONITORING AND ALERT SYSTE- MUSING ARDUINO JOURNAL
- [8] [8] MART DUSTBIN MANAGEMENT SYSTEM Date and journal: 7may 2018 (IJESRT) Author: Swati Sharma and s