

## The Faulty Product Detection and Separation System

Khan Faraz Mazhar, Irshad Ali, Prajapti Narendra, Palasamkar Kunal, Tiwari Vivek,

Project Guidance: Divya Raut

Hod Name: Mr. Vishal Kandalgaonkar Mechanical Engineering

Institute Name -Pravin Patil College of Diploma Engineering & Technology

### ABSTRACT

In today's fast-paced manufacturing landscape, ensuring product quality is paramount. The Faulty Product Detection and Separation System emerges as a pioneering solution, poised to redefine the standards of quality control across industries. This cutting-edge system harnesses the power of advanced technologies such as artificial intelligence, computer vision, and machine learning to meticulously scrutinize every aspect of production. By analyzing intricate details and patterns, it swiftly identifies even the subtlest deviations from the desired specifications. But what truly sets this system apart is its ability to not only detect faults but also take immediate corrective action. Equipped with precise separation mechanisms, it swiftly isolates defective items from the production line, preventing them from compromising the overall quality and integrity of the batch. From automotive manufacturing to electronics production and beyond, the Faulty Product Detection and Separation System offers unparalleled reliability, efficiency, and peace of mind. With its seamless integration into existing workflows, manufacturers can optimize processes, minimize waste, and uphold the highest standards of excellence.

A Faulty Product Detection and Separation System is an automated system used in manufacturing processes to identify and remove defective or faulty products from the production line. These systems utilize various technologies such as machine vision, sensors, artificial intelligence, and robotics to inspect products for defects and sort them accordingly. The system uses cameras, sensors, or other inspection devices to examine each product as it moves along the production line. This inspection can involve checking for defects in shape, color, size, texture, or any other relevant criteria depending on the type of product being manufactured. Advanced algorithms, often based on machine learning or deep learning techniques, analyze the data captured by the inspection devices to detect any abnormalities or defects in the products. These algorithms can be trained to recognize various types of defects based on a dataset of known examples. Once a defect is detected, the system makes a decision on whether the product is acceptable or needs to be removed from the production line. This decision-making process is typically based on predefined criteria or thresholds for acceptable quality.

## **Introduction**

### **Current scenario**

As of last update in January 2022, Faulty Product Detection and Separation Systems continue to be essential components in various industries, particularly in manufacturing and production facilities where quality control is paramount. These systems have seen advancements in technology, including improvements in machine learning algorithms for more accurate defect detection, the integration of Internet of Things (IoT) devices for real-time monitoring, and the use of robotics for automated sorting and separation. In the current scenario, there are several trends and developments shaping the landscape of Faulty Product Detection and Separation Systems. Integration of AI and Machine Learning: There's a continued emphasis on leveraging artificial intelligence (AI) and machine learning (ML) algorithms to enhance the capabilities of detection systems. These technologies enable the systems to adapt and improve over time by learning from data collected during the inspection process. Advanced Sensor Technologies: Manufacturers are exploring advanced sensor technologies such as hyper-spectral imaging, thermal imaging, and 3D scanning to detect defects with higher precision and accuracy, even in complex manufacturing environments. Industry 4.0 and Smart Manufacturing: The adoption of Industry 4.0 principles and smart manufacturing concepts has led to the integration of Faulty Product Detection and Separation Systems into interconnected production systems.

#### **1) Problems in existing system**

In This Project, We Will Try To Build An Internet Of Things (IOT) Based System Will Automatically Notify And Keep Such Garbage Clean In A Proper Manner. Each And Every Person In The World Disposes The Waste In The Dustbin And It Full, They Empty The Waste Inside The Bin. This Is The Basic Use Of A Normal Dustbin Where No Components Are Used, No Coding Is Performed, And Everything Is Manual.

The Maintenance Of The Bin Is Also Not Proper Where The Lid In The Overflowing Of The Waste From The Bin. The Second Method Is Use Of Dustbin With Different Segregations Like Green And Blue Bins Which Is Placed Together Or The Dustbin Where Only Recyclable Waste Should Be Disposed. The Third Method Uses Arduino, Servomotor, GSM Module, Ultrasonic Sensor For Doing The Same Result And It Is Not Cost Efficient. Ultrasonic Sensors Present Inside The Dustbin Where The Height Of The Waste Inside The Dustbin Is Measured And It Send A Mail When The Dustbin Is Above 70 Percent. Only Sending The Notification Is The Existing Method.

## **SOLUTION**

Invest in state-of-the-art technologies such as machine learning, artificial intelligence, and computer vision to enhance the capabilities of detection systems. Advanced algorithms can improve defect detection accuracy and adaptability to different product variations. Develop tailored inspection systems that are specifically designed to meet the unique requirements of the manufacturing process and product specifications. Customization allows for more precise defect detection and seamless integration into existing production lines. Design detection and separation systems with modular components that can be easily adapted or expanded to accommodate changes in production volume, product types, or manufacturing configurations. Scalable solutions provide flexibility and future-proofing against evolving business needs

#### **1) WORKING**

Fabrication is an important industry that involves cutting, manipulating and assembling materials to produce desired structures. And while different fabrication companies use different techniques, most rely on three basic processes: cutting, bending and assembling.

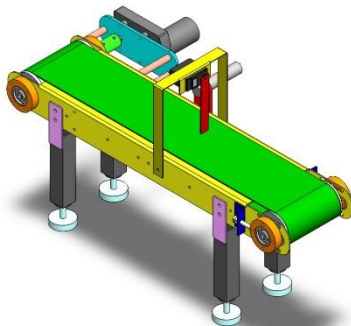
The first process of fabrication is cutting. During this process, the metal fabrication company cuts one or more pieces of raw metal for use in the creation of a new metal structure or product. Whether it's steel, aluminum, iron or

any other common type of metal, though, cutting metal requires special tools. Some metal fabrication companies use torches to cut metal, whereas others numerical control (CNC) machines involving lasers or water jets. When finished, the company will have clean, appropriate-sized sheets or sections of metal with which to work

After cutting raw metal, metal fabrication companies must bend it. Again, there are different ways to bend metal after cutting it. Some metal fabrication companies hammer the metal sheets or sections into the desired shape. Hammering can be done by hand, or it can be done using a machine (power hammering). Recently, though, many metal fabrication companies have begun using press brakes to bend their metal. This heavy industrial machine automatically presses metal sheets and sections into a specific shape when engaged. It essentially clamps the metal between a punch die, forcing the metal into the desired shape.

The third and final process of metal fabrication is assembling. As the name suggests, this process involves assembling the metal sheet or sections into the desired finished product. Assembling is typically performed via welding, though other steps may be included in the process as well. In addition to welding, for example, metal fabrication companies may crimp seams, apply screws or other fasteners, and apply glue. After assembling the metal, the company will finalize the product before shipping and selling it to its customers.

In the context of problem-solving and design, synthesis refers to the process of combining various elements, ideas, or solutions to create a comprehensive and effective solution to the identified problem. It involves integrating different components, concepts, and approaches into a cohesive and coherent framework to address the problem at hand.



**Fig-1: CAD Model**

### **Advantages**

Implementing a faulty product detection and separation system in manufacturing offers several advantages:

1. By removing faulty products from the production line, the overall quality of the products that reach the market is enhanced. This helps maintain customer satisfaction and brand reputation.
2. Detecting and removing faulty products early in the production process can prevent the waste of materials, labor, and resources involved in producing defective items. This leads to cost savings for the manufacturer.
3. Automated detection and separation systems can operate at high speeds and with a high level of accuracy, leading to increased efficiency in the production process. This can result in higher throughput and reduced cycle times.
4. By promptly identifying and addressing faults, the system helps minimize downtime associated with production stoppages due to quality issues. This improves overall productivity and reduces lost revenue.
5. Ensuring that only high-quality products are released into the market helps manufacturers comply with regulatory standards and reduces the risk of liability associated with defective products.
6. The data collected during the detection and separation process can provide valuable insights into the root causes of defects and opportunities for process optimization. This information can be used to continually improve product quality and manufacturing efficiency.
7. Faulty product detection and separation systems can be scaled to accommodate varying production volumes and

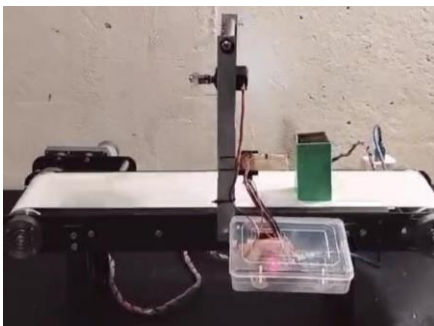
product types. They can be integrated into existing production lines or implemented in new facilities as needed.

8. Removing faulty products from the production line automatically reduces the risk of accidents or injuries caused by defective items entering the market.

### **Conclusion**

In conclusion, the Faulty Product Detection and Separation System should be assessed based on its effectiveness, efficiency, reliability, and adaptability. Consider factors such as false positives/negatives, integration, cost-benefit analysis, scalability, user-friendliness, and potential for future developments. By evaluating these aspects, you can determine the system's performance, suitability, and areas for improvement. In conclusion, designing and implementing a faulty product detection and separation system is crucial for ensuring product quality, safety, and compliance across various industries. By effectively identifying and addressing defects in manufactured products, these systems contribute to enhanced customer satisfaction, reduced waste, and improved operational efficiency. Key conclusions regarding such systems include. Faulty product detection and separation systems play a vital role in maintaining quality standards and compliance with regulations in industries where product defects can have serious consequences, such as automotive, electronics, pharmaceuticals, and food manufacturing. These systems help streamline production processes by automating the detection and separation of defective products, reducing the need for manual inspection and minimizing production downtime.

### **RESULTS**



**Fig-2: Final product**

### **REFERENCE**

- <https://chat.openai.com/c/9696f4f7-c458-1111062hn-hh4d36-99bf-a2f84abb8bc3>
- <https://krishijagran.com/agripedia/the-changing-scenario-of-indian/>
- <https://www.ijert.org/research/gsm-and-gps-based-garbage-and-waste-collection-bin-overflow-management-system-for-kitwe-city-council-IJERTV7IS040058.pdf>
- [https://www.irjmets.com/uploadedfiles/paper//issue\\_6\\_june\\_2022/25327/final/fin\\_irjmets1654\\_350998.pdf.pdf](https://www.irjmets.com/uploadedfiles/paper//issue_6_june_2022/25327/final/fin_irjmets1654_350998.pdf.pdf)